

MODEL 2086 (HT-20)

SERIAL NUMBER

0100101 thru 0199999

TRACTOR

**ILLUSTRATED
PARTS
LIST**

BOLENS[®]

FMC CORPORATION[®]

PORT WASHINGTON, WISCONSIN U.S.A.

Printed at Bolens

MyTractorForum.com

TRACTOR MODEL 2086 (HT-20)

SERIAL NUMBER 0100101 thru 0199999

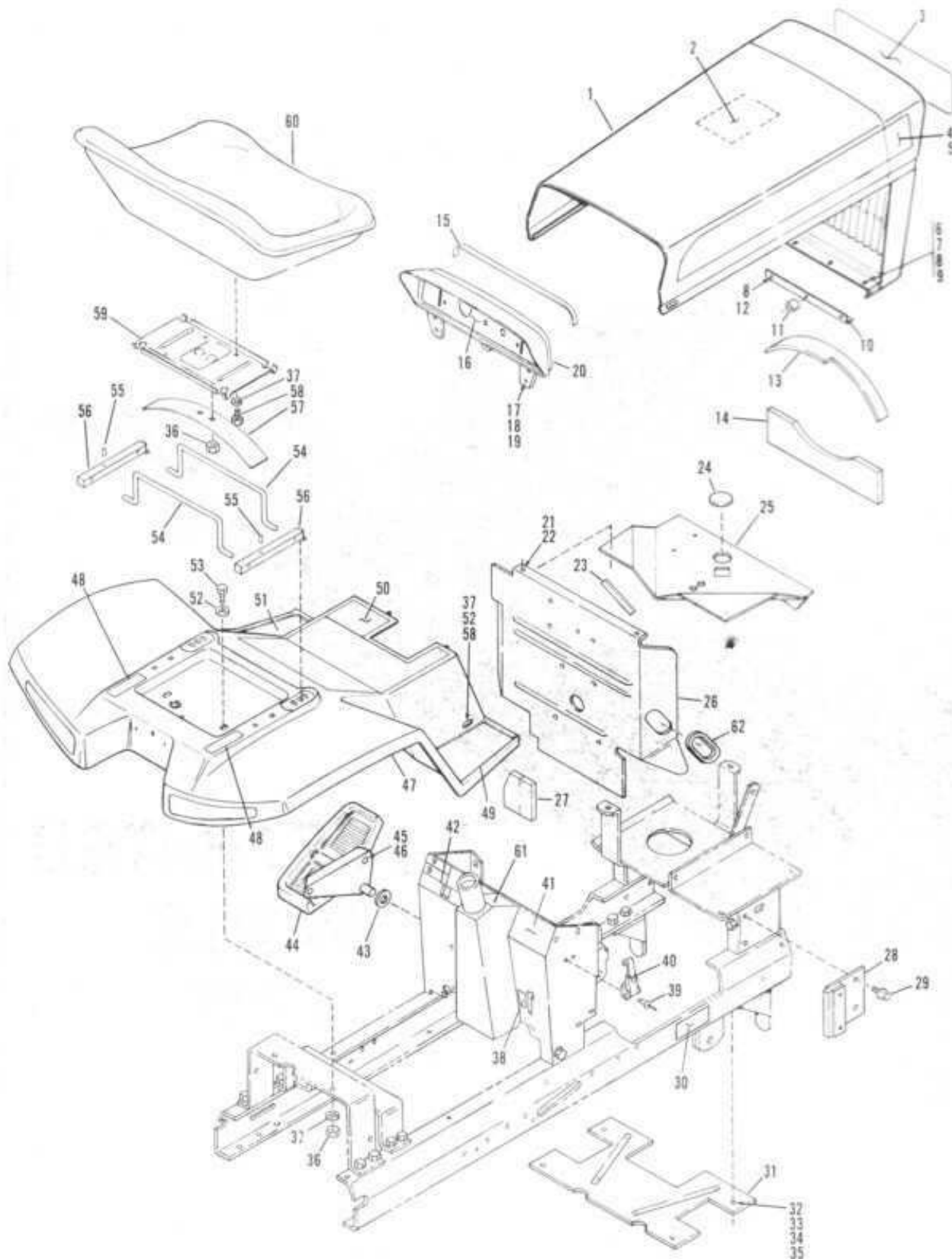


Figure 1 TRIM ASSEMBLY

TRACTOR MODEL 2086 (HT-20)

SERIAL NUMBER 0100101 thru 0199999

Figure 1 TRIM ASSEMBLY

REF. NO.	PART NO.	DESCRIPTION	NO. REQ'D.	REF. NO.	PART NO.	DESCRIPTION	NO. REQ'D.
1	1722558	Grille and Hood without Decals	1	32	1100055	Capscrew, 1/2-13 x 1-1/4	4
2	1725504	Decal, Instructions	1	33	1100245	Lockwasher, 1/2	4
3	1725514	Decal, Grille	1	34	1107385	Flat Washer, 1/2	4
4	1725929	Decal, Hood, Right Hand	1	35	1186233	Nut, 1/2-13	4
5	1725930	Decal, Hood, Left Hand	1	36	1186231	Nut, 3/8-16	3
6	1103195	Capscrew, 5/16-18 x 5/8	3	37	1100243	Lockwasher, 3/8	4
7	1107382	Flat Washer, 5/16	3	38	1725507	Decal, PTO	1
8	1100242	Lockwasher, 5/16	6	39	1186424	Rivet	4
9	1186230	Nut, 5/16-18	3	40	1726328	Latch Assembly	2
10	1717246	Hinge	1	41	1725508	Decal, Instructions	1
11	1722833	Spacer	3	42	1726417	Decal, Hydraulic Control	1
12	1100779	Capscrew, 5/16-18 x 1-3/4	3	43	1705092	Washer	1
13	1726054	Heat Shield	1	44	1724522	Foot Pedal, Left Hand	1
14	1726055	Heat Shield	1	45	1104007	Lockwasher, 5/16	2
15	1717599	Rubber Pad	1	46	1100088	Capscrew, 5/16-18 x 1/2	2
16	1723506	Decal, Instructions	1	47	1724529	Rear Fender	1
17	1107381	Flat Washer, 1/2	4	48	1721369	Wear Strip	2
18	1100241	Lockwasher, 1/4	5	49	1719183	Foot Pad, Right Hand	1
19	1186229	Nut, 1/4-20	5	50	1724539	Decal, Instructions	1
20	1723391	Instrument Panel	1	51	1719182	Foot Pad, Left Hand	1
21	1186308	Whiz-lock Capscrew, 1/4-20 x 1/2	2	52	1107383	Flat Washer, 3/8	2
22	1186389	Whiz-lock Nut, 1/4-20	2	53	1100046	Capscrew, 3/8-16 x 1	2
23	1726129	Deflector, Air	1	54	1723612	Pivot Shaft	2
24	1718180	Plug, Button	1	55	1185277	Drive Pin, 1/4 x 3/4	2
25	1725931	Heat Shield	1	56	1723608	Pivot Shaft Tie	2
26	1726088	Heat Shield Assembly	1	57	1723613	Leaf Spring	1
27	1726415	Heat Shield	1	58	1103212	Capscrew, 3/8-16 x 5/8	2
28	1726090	Heat Shield Assembly	2	59	1723611	Spring Support	1
29	1724492	Whiz-lock Screw, 1/4-20 x 1/2	4	60	1722474	Seat	1
30	1727009	Decal	2	61	1726936	Steering Column	1
31	1725920	Deflector, Air	1	62	1726554	Trim, Cover	1

TRACTOR MODEL 2086 (HT-20)

SERIAL NUMBER 0100101 thru 0199999

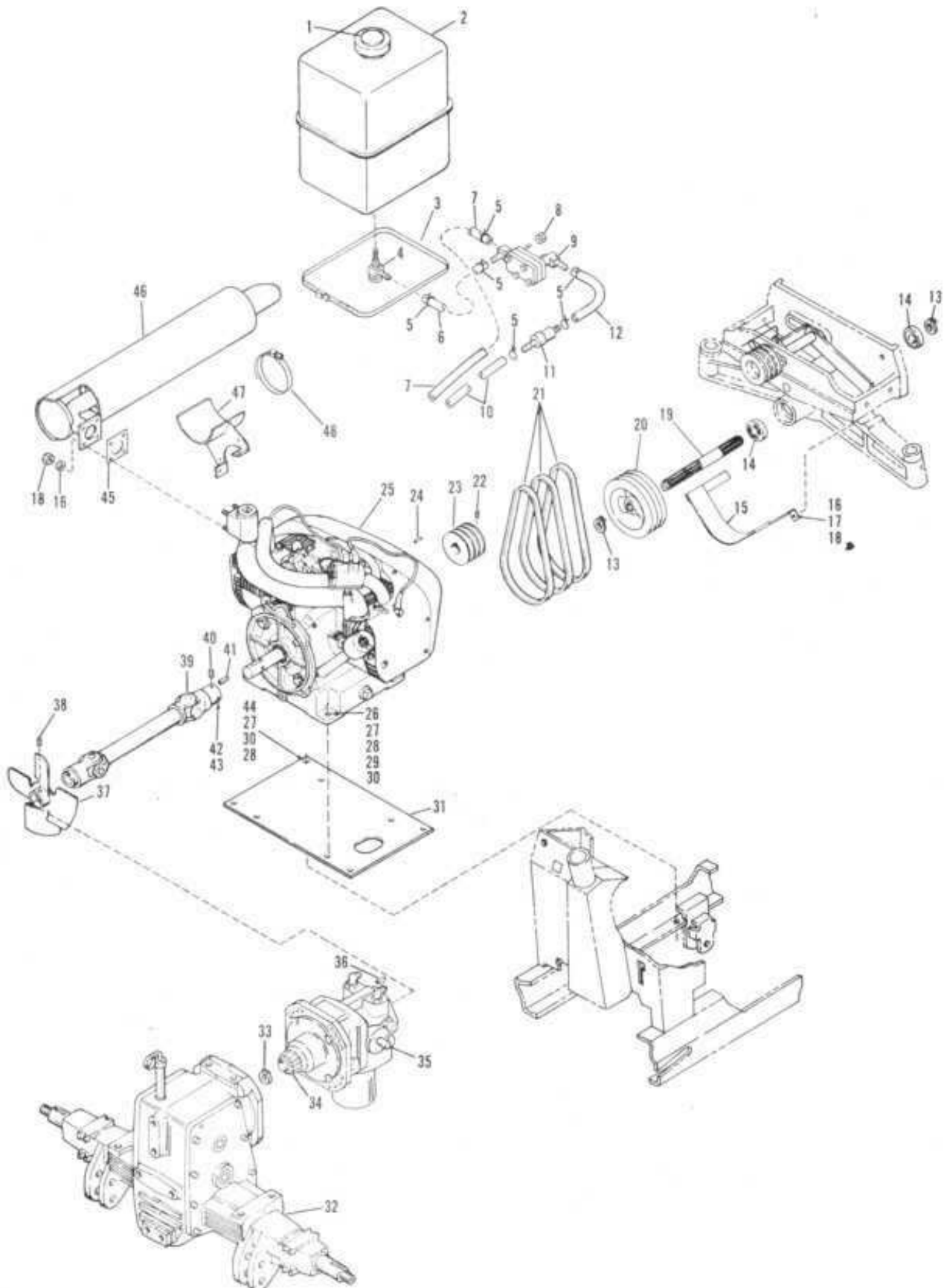


Figure 2 ENGINE and DRIVE ASSEMBLY

TRACTOR MODEL 2086 (HT-20)

SERIAL NUMBER 0100101 thru 0199999

Figure 2 ENGINE and DRIVE ASSEMBLY

REF. NO.	PART NO.	DESCRIPTION	NO. REQ'D.	REF. NO.	PART NO.	DESCRIPTION	NO. REQ'D.
1	1718756	Gas Tank Cap Only	1	25	*	Kohler K532 S Engine	1
2	1718600	Gas Tank (Incl. Ref. No. 1)	1	26	1100065	Capscrew, 1/2-13 x 1-3/4	4
3	1806811	Snaplock Hose Clamp	1	27	1100245	Lockwasher, 1/2	8
4	1723518	Shut Off Valve	1	28	1107385	Flat Washer, 1/2	8
5	1718185	Hose Clamp	8	29	1103997	Lockwasher, 1/2 External	4
6	1726446	Fuel Line	1	30	1186233	Nut, 1/2-13	8
7	1726449	Fuel Line	1	31	1722559	Engine Support	1
8	1185869	Nut, No. 8-32	2	32	1724200	Hydrostatic Transaxle Assy. (See Figure 3)	1
9	1726185	Fuel Pump Assembly	1	33	1185438	Retaining Ring	1
		• Fuel Pump Repair Parts		34	1724078	Pinion, Bevel 18 T	1
	1727535	• Pump Gasket	1	**35	1724349	Hydrostatic Package	1
	1727536	• Booster Gasket	1	36	1186016	Hi-Pro Key	1
	1727537	• Booster Diaphragm	1	37	1724027	Fan	1
	1727538	• Check Valve Diaphragm	1	38	1100113	Set Screw, 1/4-20 x 1/2	1
	1727539	• Valve Spring	2	39	1725932	Drive Shaft	1
10	1726448	Fuel Line	1		1724401	Drive Shaft Repair Kit (Rockwell or Weasler)	2
11	1723521	Filter	1		1714208	Drive Shaft Repair Kit (NEAPCO)	2
12	1726447	Fuel Line	1	40	1182554	Set Screw, 5/16-18 x 5/16	1
13	1185869	Retaining Ring	2	41	1108844	Square Key, 1/4 x 1-1/4	1
14	1185100	Ball Bearing	2	42	1111606	Capscrew, 5/16-18 x 2	1
15	1718497	Belt Guide	1	43	1110107	Lock Nut, 5/16-18	1
16	1100242	Lockwasher, 5/16	6	44	1100055	Capscrew, 1/2-13 x 1-1/4	4
17	1100045	Capscrew, 5/16-18 x 1	2	45	1722530	Gasket, Exhaust	1
18	1186230	Nut, 5/16-18	6	46	1722529	Exhaust Muffler	1
19	1718568	PTO Shaft	1	47	1722533	Support, Muffler	1
20	1718515	PTO Sheave	1	48	1723599	Snaplock Hose Clamp	1
21	1722639	Drive Belt 3" (matched set of 3)	1				
22	1103470	Set Screw, 5/16-18 x 1/2	1				
23	1722662	Drive Sheave	1				
24	1108844	Square Key, 1/4 x 1-1/4	1				

* Purchase Parts from your Kohler Outlet.

** Available Only as a Complete Package.

TRACTOR MODEL 2086 (HT-20)

SERIAL NUMBER 0100101 thru 0199999

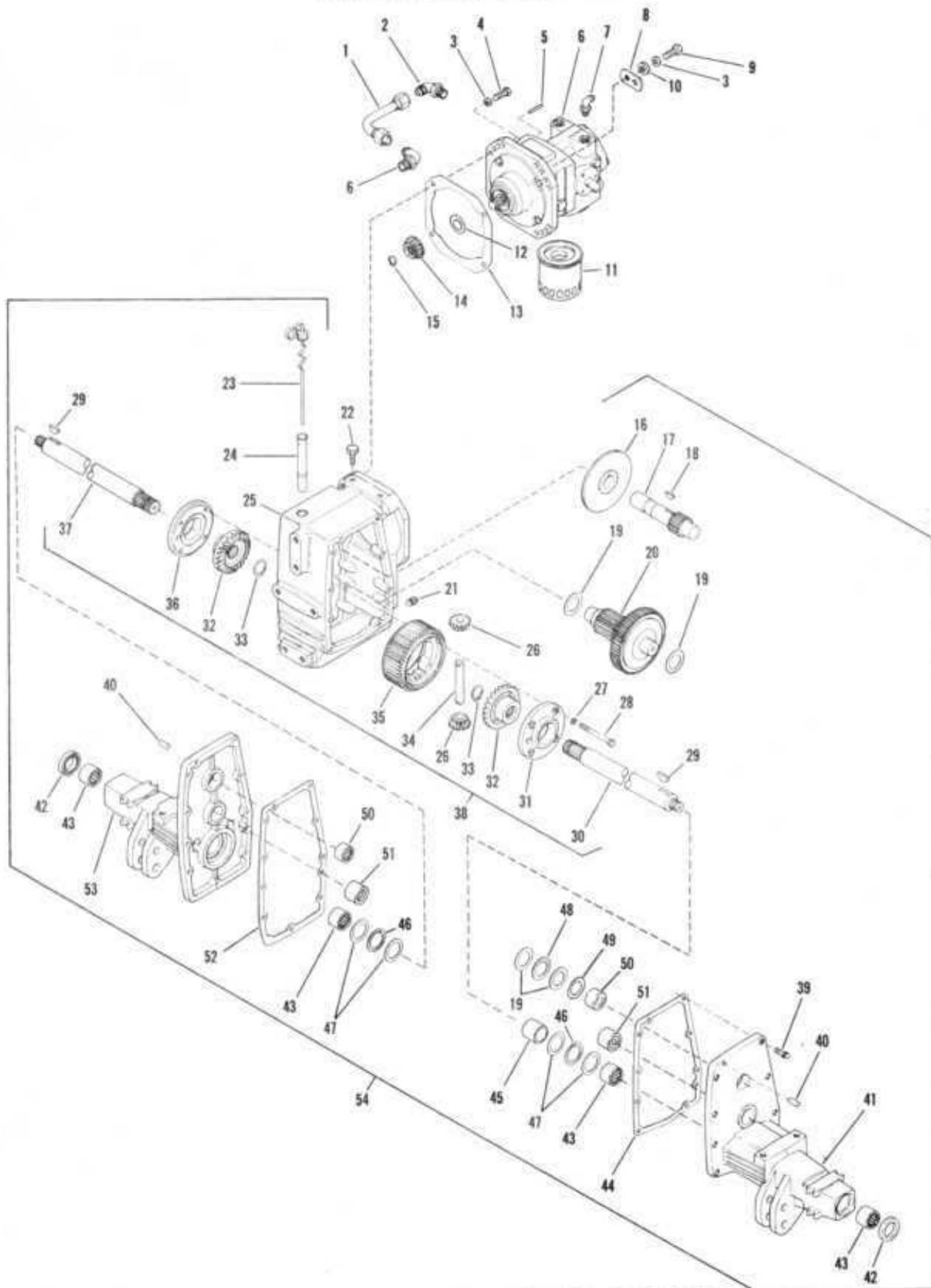


Figure 3 HYDRO and TRANSAXLE ASSEMBLY

TRACTOR MODEL 2086 (HT-20)

SERIAL NUMBER 0100101 thru 0199999

Figure 3 HYDRO and TRANSAXLE ASSEMBLY

REF. NO.	PART NO.	DESCRIPTION	NO. REQ'D.	REF. NO.	PART NO.	DESCRIPTION	NO. REQ'D.
*1	1724247	Tube Assembly, 37° Flare	1	32	1724074	Bevel Gear, 22 T	2
2	1724390	Fitting, 90° Elbow	2	33	1185732	Retaining Ring, External	2
3	1100243	Lockwasher, 3/8	4	34	1724075	Pinion Shaft	1
4	1100043	Capscrew, 3/8 x 1-1/4	3	35	1724085	Bull Gear, 44 T	1
5	1185376	Roll Pin, 3/16 x 1-1/2	1	36	1724071	Carrier, Bull Gear, L.H.	1
6	1724349	Hydrostatic Package, R.H.	1	37	1724077	Axle, Left Hand	1
7	1185737	Fitting, 90° Elbow	2	38	1724110	Differential Assembly (Incl. Ref. Nos. 26 thru 28 & 30 thru 37)	1
8	1725415	Neutral Anchor	1	39	1185771	Capscrew, Counterbore, 3/8-16 x 1	17
9	1100047	Capscrew, 3/8 x 1-1/2	1	40	1110189	Dowel Pin, 3/8 x 1	4
10	1107383	Flat Washer	1	41	1724104	Cover, Transaxle Housing, R.H.	1
11	1726450	Oil Filter	1	42	1185929	Oil Seal	2
12	1726630	Shim, Washer	0-3	43	1186003	Bearing, Needle	4
13	1720282	Gasket	1	44	1724086	Gasket, Cover, Right Hand	1
14	1724078	Pinion, Bevel 18 T	1	45	1724094	Spacer	1
15	1185438	Retaining Ring	1	46	1186007	Bearing, Roller, Thrust	2
16	1724079	Bevel Gear, 56 T	1	47	1186006	Race, Thrust	4
17	1724081	Pinion Shaft, 15 T	1	48	1185764	Bearing, Roller, Thrust	1
18	1100279	Key, Woodruff	1	49	1718781	Shim	2-3
19	1186002	Race, Thrust .125	4	50	1185774	Bearing, Needle (Closed End)	2
20	1724083	Cluster Gear, 16 T and 55 T	1	51	1186010	Bearing, Needle (Closed End)	2
21	1185930	Pipe Plug (Square Head Magnetic)	1	52	1724087	Gasket, Cover, Left Hand	1
22	1100046	Capscrew, 3/8-16 x 1	2	53	1724106	Cover, Transaxle Housing, Left Hand	1
23	1724093	Dip Stick	1	54	1724200	Transaxle Assembly (Incl. Ref. Nos. 10, 16 thru 21, 23 thru 25, 38, 40 thru 45, 48 & 50 thru 53)	1
24	1724091	Tube	1		1721514	Trans. Fluid, 2-1/2 gal.	
25	1724102	Housing, Transaxle	1		1719650	Trans. Fluid, 1 gal.	
26	1713466	Pinion, Bevel 10 T	2		1721599	Trans. Fluid, 1 quart	
27	1100242	Lockwasher, 5/16	4				
28	1186015	Capscrew, 5/16-18 x 3-1/2 H.T.	4				
29	1187255	Woodruff Key, 5/16 x 1-1/4	2				
30	1724076	Axle, Right Hand	1				
31	1724072	Carrier, Bull Gear, R.H.	1				

* Available Only as a Complete Package.

TRACTOR MODEL 2086 (HT-20)

SERIAL NUMBER 0100101 thru 0199999

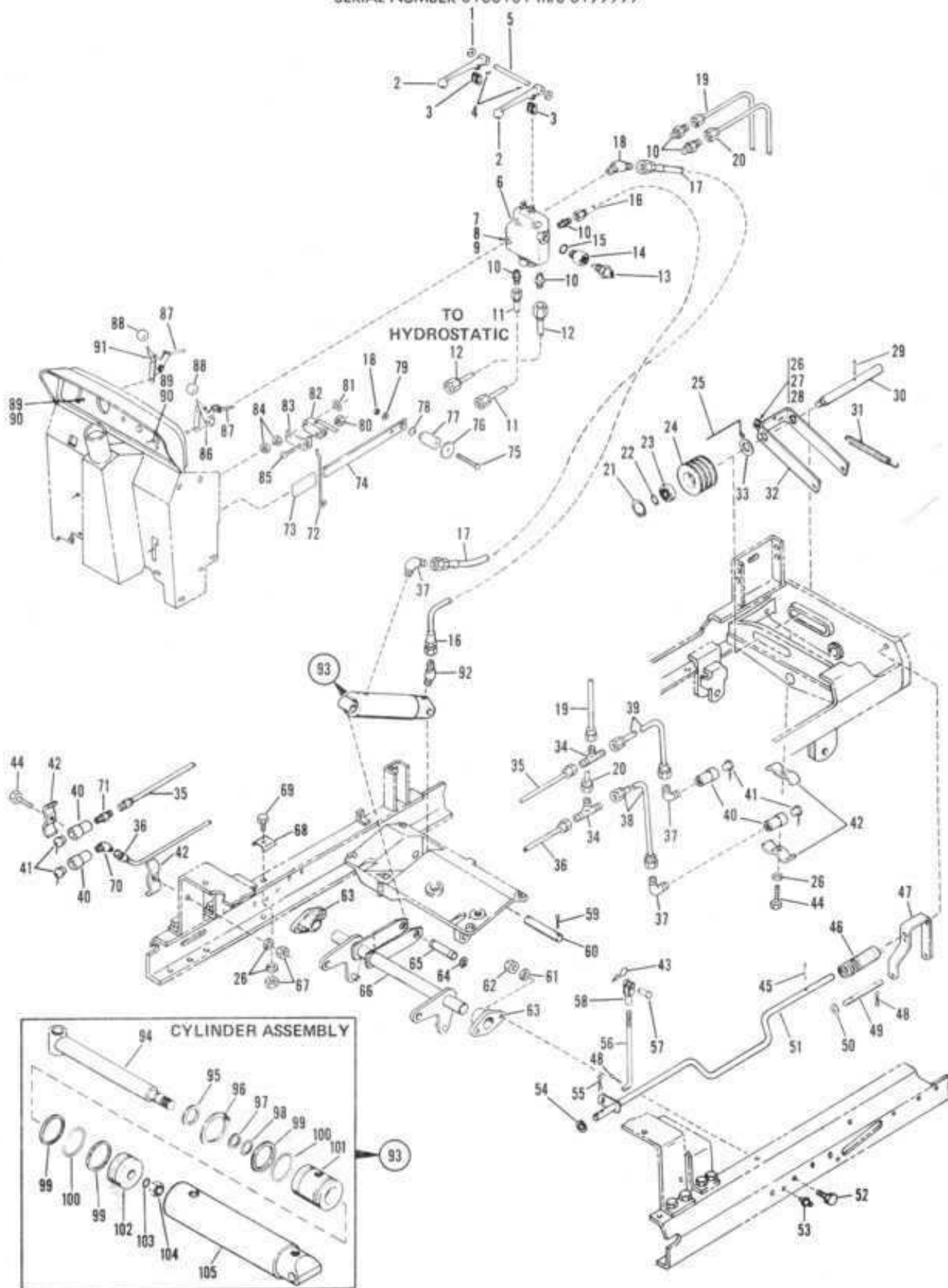


Figure 4 HAND CONTROLS and LIFT ASSEMBLY

TRACTOR MODEL 2086 (HT-20)

SERIAL NUMBER 0100101 thru 0199999

Figure 4 HAND CONTROLS and LIFT ASSEMBLY

REF. NO.	PART NO.	DESCRIPTION	NO. REQ'D.	REF. NO.	PART NO.	DESCRIPTION	NO. REQ'D.
1	1107382	Flat Washer, 5/16	2	55	1100356	Cotter Pin, 3/32 x 1	2
2	1722539	Lever, Control Valve	2	56	1724458	PTO Control Rod	1
3	1185018	Link, Connector 5/8 P.	2	57	1112587	Clevis Pin	1
4	1100346	Cotter Pin, 3/32 x 3/4	2	58	222007	Clutch Yoke	1
5	1722546	Rod, Control Valve	1	59	1100351	Cotter Pin, 1/8 x 1-1/4	2
6	1722528	Control Valve Assy., 2 Spool	1	60	1724585	Pivot Pin	1
	1723215	Valve Repair Kit	1	61	1100243	Lockwasher, 3/8	4
7	1100807	Capscrew, 1/4-20 x 2	2	62	1110108	Lock Nut, 3/8-16	4
8	1100241	Lockwasher, 1/4	2	63	1718593	Block Bearing	2
9	1186229	Nut, 1/4-20	2	64	1113527	Retaining Ring	2
10	1717563	Connector	5	65	1724355	Pin, Cylinder Rod	1
11	1724346	Return Tube Assembly	1	66	1724357	Pivot Shaft	1
12	1724347	Pressure Tube Assembly	1	67	1186230	Nut, 5/16-18	2
13	1724584	Temperature Switch	1	68	1722667	Clamp, Tubing	1
14	1724358	Plug, Adapter	1	69	1100808	Capscrew, 1/4-20 x 1-1/4	1
15	1185773	O-Ring	1	70	1185903	Elbow, 45°	1
16	1719178	Cylinder Hose Assembly	1	71	1721989	Connector	1
17	1719179	Cylinder Hose Assembly	1	72	1726345	Control, Switch	1
18	1185902	Elbow, 45°	1	73	1715711	Handle Grip	1
19	1722700	Tube Assembly, 37° flared	1	74	1723304	PTO Lever	1
20	1722701	Tube Assembly, 37° flared	1	75	1111608	Capscrew, 5/16-18 x 2-1/2	1
21	1187439	Retaining Ring, Internal	1	76	1723384	Special Washer	1
22	1118809	Retaining Ring, External	1	77	1723302	PTO Lever Support	1
23	1185064	Ball Bearing	1	78	1701411	Bowed Washer	1
24	1719202	Idler Sheave	1	79	1708268	Washer	1
25	1718606	Belt Guide	1	80	1726432	Lock Nut, No. 4-40	1
26	1100242	Lockwasher, 5/16	4	81	1726140	Speed Nut, Push On	1
27	1103195	Capscrew, 5/16-18 x 5/8	1	82	1725550	PTO Switch	1
28	1107382	Flat Washer, 5/16	1	83	1726346	Bracket, Switch	1
29	1185376	Roll Pin, 3/16 x 1-1/2	1	84	1109764	Nut, No. 6-32	2
30	1718567	Idler Shaft	1	85	1186273	Machine Screw, No. 4-40 x 5/8	1
31	1703615	Extension Spring	1				
32	1718616	Idler Shaft Bail	1	86	1723313	Throttle Control (Incl. Ref. Nos. 87 and 88)	1
33	1107387	Flat Washer, 3/4	1				
34	1185904	Tee	2	87	1706590	Wire Only	2
35	1722696	Tube Assembly, 37° flared	1	88	1725511	Knob Only	2
36	1722697	Tube Assembly, 37° flared	1	89	1116287	Machine Screw, No. 10-24 x 5/8	4
37	1185739	Elbow, 90°	3				
38	1722698	Tube Assembly, 37° flared	1	90	1185985	Nut, No. 10-24	4
39	1722699	Tube Assembly, 37° flared	1	91	1723312	Choke Control (Incl. Ref. Nos. 87 and 88)	1
40	1717627	Coupling, Body	4				
41	1720733	Plug, Dust	4	92	1725928	Elbow, 45°	1
42	1722560	Clamp, Coupling	4	93	1724520	Cylinder (Incl. Nos. 55 thru 66)	1
43	1100242	Lockwasher, 5/16	3	94	1724512	Piston Rod Assembly	1
44	1111606	Capscrew, 5/16-18 x 2	2	95	1185266	Oil Seal	1
45	1185552	Drive Pin, 3/16 x 1-3/4	1	96	1118735	Snap Ring	1
46	1722565	Torsion Spring	1	97	1186019	Ring Washer	1
47	1718528	Control Arm	1	98	1177395	O-Ring	1
48	1100346	Cotter Pin, 3/32 x 3/4	4	99	1186018	Ring Washer	3
49	1718533	Arm Pin	1	100	1186017	O-Ring	2
50	1107383	Flat Washer, 3/8	2	101	1724511	Cylinder Head	1
51	1722564	Control Rod	1	102	1724515	Piston	1
52	1100043	Capscrew, 3/8-16 x 1-1/4	4	103	1177509	O-Ring	1
53	1185976	Grease Fitting	2	104	1110154	Lock Nut, 5/8-18	1
54	1107385	Flat Washer, 1/2	2	105	1724516	Cylinder Tube	1

TRACTOR MODEL 2086 (HT-20)

SERIAL NUMBER 0100101 thru 0199999

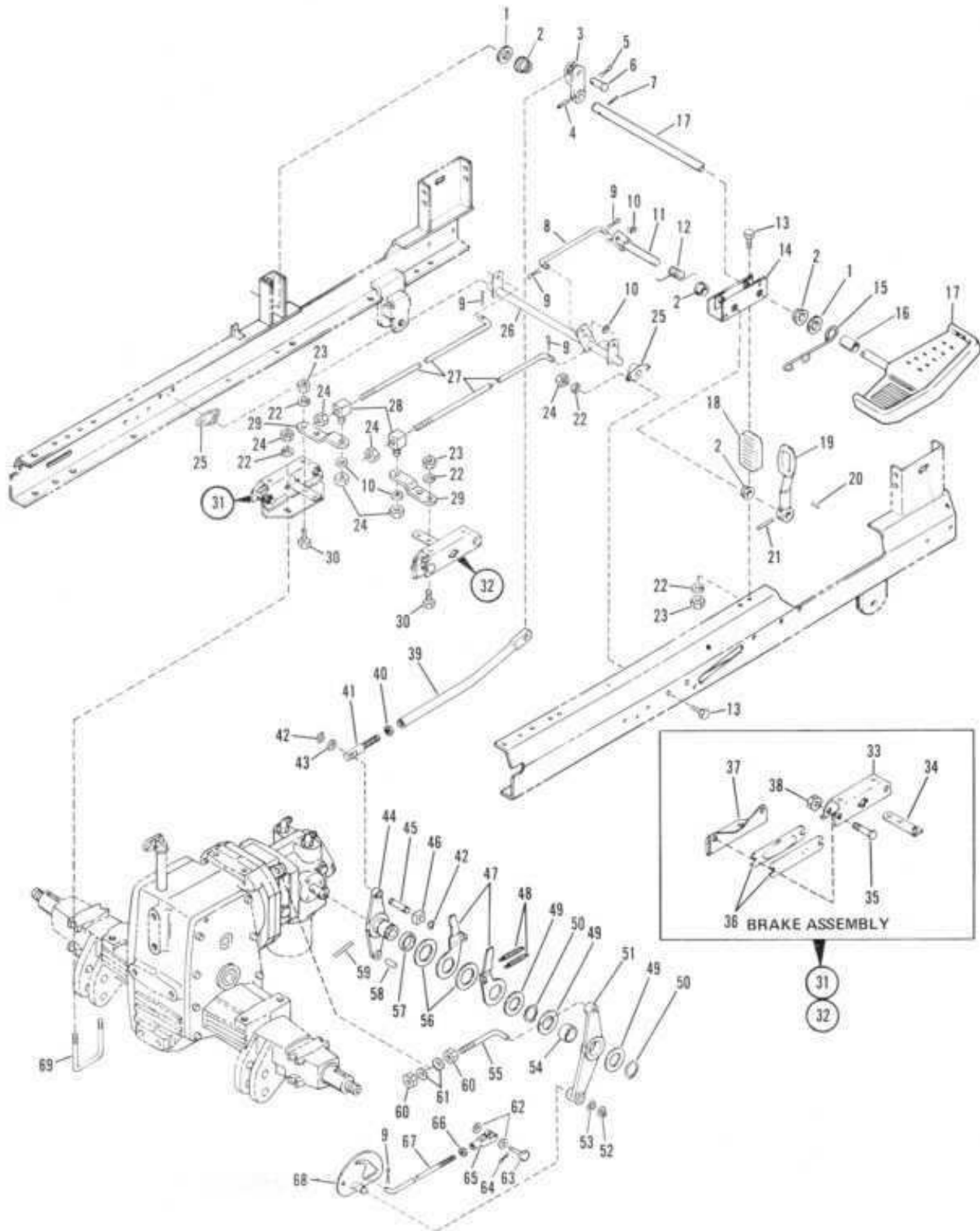


Figure 5 BRAKE and HYDRO CONTROL ASSEM

TRACTOR MODEL 2086 (HT-20)

SERIAL NUMBER 0100101 thru 0199999

Figure 5 BRAKE and HYDRO CONTROL ASSEMBLY

REF. NO.	PART NO.	DESCRIPTION	NO. REQ'D.	REF. NO.	PART NO.	DESCRIPTION	NO. REQ'D.
1	1706594	Washer	2	34	1724588	Lever, Actuating	1
2	1185034	Flange Bushing	4	35	1724590	Bolt	2
3	1724467	Control Arm	1	36	1724589	Stator Plate	2
4	1713432	Drive Pin, 3/16 x 1-1/4	1	37	1724473	Support, Brake	1
5	1100350	Cotter Pin, 1/8 x 1	1	38	1724591	Lock Nut	2
6	1724632	Clevis Pin, 1/2 x 1-1/4	1	39	1724447	Control Rod	1
7	1100351	Cotter Pin, 1/8 x 1-1/4	1	40	1186261	Jam Nut, 1/2-13	1
8	1724454	Tie Rod	1	41	1724446	Rod End	1
9	1100346	Cotter Pin, 3/32 x 3/4	3	42	1185219	Retaining Ring, External	2
10	1107383	Flat Washer, 3/8	4	43	1890948	Flat Washer	1
11	1724434	Brake Arm Assembly	1	44	1724449	Speed Control Arm	1
12	1724453	Torsion Spring	1	45	1724445	Control Pin	1
13	1100068	Capscrew, 3/8-16 x 3/4	6	46	1720699	Cushion Block	1
14	1724569	Support Assembly, Control Shaft	1	47	1725359	Neutralizer Arm	2
15	1724623	Latch Assembly, Brake	1	48	1724582	Extension Spring	2
16	1721378	Spacer	1	49	1720529	Thrust Washer	3
17	1725413	Speed Control Pedal	1	50	1185732	Retaining Ring, External	2
18	1719539	Pedal Pad	1	51	1724452	Neutral Stop Arm	1
19	1724437	Brake Pedal	1	52	1118804	Retaining Ring	1
20	1120209	Roll Pin, 3/16 x 3/4	1	53	1706782	Wave Washer	1
21	1185232	Drive Pin, 3/16 x 1-1/4	1	54	1724581	Bearing	1
22	1100243	Lockwasher, 3/8	10	55	1724444	Rod, Neutral Adjuster	1
23	1186231	Nut, 3/8-16	6	56	1720361	Thrust Washer	2
24	1110108	Lock Nut, 3/8-16	12	57	1720706	Bearing	1
25	1724457	Flange Bearing	2	58	1110187	Dowel Pin	1
26	1724440	Shaft Assembly, Transfer	1	59	1186022	Spiral Roll Pin	1
27	1724461	Brake Rod	2	60	1186232	Nut, 7/16-14	2
28	1724458	Swivel	2	61	1100265	Flat Washer, 1/4	2
29	1724460	Arm, Brake Extension	2	62	1107382	Flat Washer, 5/16	2
30	1100046	Capscrew, 3/8-16 x 1	4	63	1705602	Clevis Pin, 5/16 x 1-3/16	1
31	1724580	Brake Assembly, L.H. (Incl. Ref. Nos. 33 thru 38)	1	64	1100349	Cotter Pin, 1/8 x 3/4	1
32	1724599	Brake Assembly, R.H. (Incl. Ref. Nos. 33 thru 38)	1	65	1710583	Rod End	1
33	1724587	Bracket, Secondary	1	66	1109528	Nut, 5/16-24	1
				67	1724455	Rod, Lock Plate Control	1
				68	1724443	Lock Plate Assembly	1
				69	1724468	U-Bolt, 3/8-16	2

TRACTOR MODEL 2086 (HT-20)

SERIAL NUMBER 0100101 thru 0199999

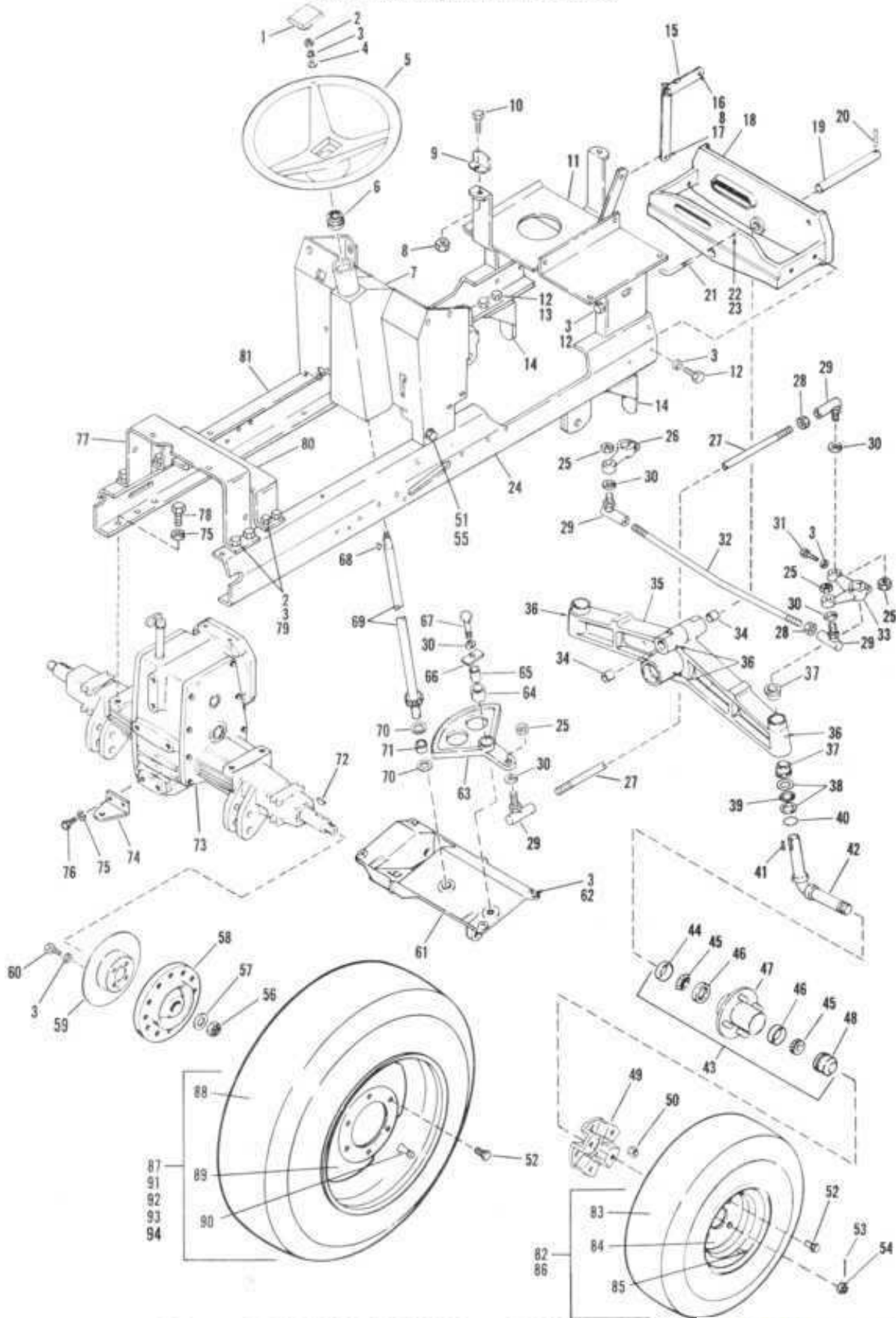


Figure 6 FRAME, STEERING and AXLE ASSEMBLY

TRACTOR MODEL 2086 (HT-20)

SERIAL NUMBER 0100101 thru 0199999

Figure 6 FRAME, STEERING and AXLE ASSEMBLIES

REF. NO.	PART NO.	DESCRIPTION	NO. REQ'D.	REF. NO.	PART NO.	DESCRIPTION	NO. REQ'D.
1	1725510	Steering Wheel Cap	1	69	1718588	Steering Shaft	1
2	1186231	Nut, 3/8-16	9	70	1707546	Thrust Washer	2
3	1100243	Lockwasher, 3/8	31	71	1185319	Bronze Bearing	1
4	1107383	Flat Washer, 3/8	1	72	1187255	Woodruff Key, 5/16 x 1-1/4	2
5	1721805	Steering Wheel	1	73	1724200	Transaxle Hydrostatic Assy. (See Figure 3)	1
6	1720134	Self Aligning Bearing	1	74	1724416	Drawbar	1
7	1726936	Steering Column	1	75	1100245	Lockwasher, 1/2	6
8	1110107	Lock Nut, 5/16-18	4	76	1100055	Capscrew, 1/2-13 x 1-1/4	2
9	1718543	Clip, Gas Tank	2	77	1724406	Support, Fender	1
10	1100045	Capscrew, 5/16-18 x 1	2	78	1103251	Capscrew, 1/2-13 x 1	4
11	1722681	Support, Battery and Gas Tank	1	79	1100913	Capscrew, 3/8-16 x 7/8	8
12	1100068	Capscrew, 3/8-16 x 3/4	12	80	1724465	Support, Transmission	1
13	1185715	Lockwasher, 3/8 (Pyramid)	4	81	1724496	Frame, Left Hand	1
14	1722625	Stop Assembly	2	MODEL 18028 - STD. FRONT WHEEL KIT			
15	1718500	Hood Stop Assembly	1	82	1723103	Wheel and Tire Assembly	2
16	1103195	Capscrew, 5/16-18 x 5/8	2	83	1719153	Tubeless Tire 5.70/5.00 x 8	2
17	1705905	Bowed Washer	2	84	1723111	Wheel Assembly (Incl. Ref. Nos. 44, 45, 46 and 48)	2
18	1722832	Support, Axle	1	85	1715855	Valve Stem	2
19	1718548	Pin, Axle Pivot	1	MODEL 18027 - HI FLOATATION FRONT WHEEL KIT			
20	1185376	Roll Pin, 3/16 x 1-1/2	2	86	1723104	Wheel and Tire Assembly	2
21	1719147	Belt Guide	1		1723116	Tire 18 x 8.50 - 10	2
22	1100241	Lockwasher, 1/4	1		1723115	Wheel Assembly (Incl. Ref. Nos. 44, 45, 46 and 48)	2
23	1186229	Nut, 1/4-20	1		1715855	Valve Stem	2
24	1724498	Frame, Right Hand	1	MODEL 18018 - STD. LAWN TIRE KIT			
25	1185082	Lock Nut, 5/8-18	4	87	1721431	Wheel and Tire Assembly	2
26	1718513	Steering Arm, Left Hand	1	88	1717204	Tire 27 x 8.50 - 15	2
27	1722562	Drag Link	1	89	1721432	Wheel	2
28	1186216	Nut, 5/8-18	2	90	1718242	Valve	2
29	1719003	Ball Joint	4	MODEL 18019 - STD. AGRI. TIRE KIT			
30	1100247	Lockwasher, 5/8	5	91	1721440	Wheel and Tire Assy., R.H.	1
31	1107209	Capscrew, 3/8-24 x 1-1/2	2		1721441	Wheel and Tire Assy., L.H.	1
32	1718576	Tie Rod	1		1718243	Tire 27 x 8.50 - 15	2
33	1718502	Steering Arm, Right Hand	1		1721432	Wheel	2
34	1185612	Sleeve Bearing	2		1718242	Valve	2
35	1718602	Front Axle	1	MODEL 18016 - TERRA LAWN TIRE KIT			
36	1104954	Grease Fitting	4	92	1721434	Wheel and Tire Assembly	2
37	1185728	Flange Bearing	4		1719548	Tire 26 x 12 - 12	2
38	1185730	Thrust Race	4		1721435	Wheel	2
39	1185729	Thrust Bearing	2		1718242	Valve	2
40	1185988	O-Ring	2	MODEL 18017 - TERRA AGRI. TIRE KIT			
41	1104336	Square Key, 1/4 x 1	2	93	1721437	Wheel and Tire Assy., R.H.	1
42	1723468	Spindle Assembly	2		1721438	Wheel and Tire Assy., L.H.	1
43	1723110	Wheel Hub Assembly (Incl. Ref. Nos. 44 thru 48)	2		1718298	Tire 26 x 12 - 12	2
44	1719601	Felt Seal	2		1721435	Wheel	2
45	1185661	Cone, Roller Bearing	4		1718242	Valve	2
46	1185660	Cup, Roller Bearing	4	MODEL 18020 - DUAL WHEEL KIT			
47	1723106	Wheel Hub	2	94	1721428	Wheel and Tire Assy., EXT.	2
48	1719599	Cap	2		1718117	Hub Bolt	12
49	1723092	Wheel Spacer	2		1717204	Tire 27 x 8.50 - 15	2
50	1724322	Wheel Nut	8		1718242	Valve	2
51	1100068	Capscrew, 5/16-18 x 1/2	2		1721429	E:	
52	1715428	Wheel Bolt, 1/2-20	2				
53	1104222	Cotter Pin, 3/16 x 1-1/2	2				
54	1185758	Castle Nut, Special 1-1/4	2				
55	1103994	Shakeproof Washer	2				
56	1120390	Lock Nut, 3/4-10	2				
57	1708599	Fiat Washer	2				
58	1724089	Wheel Hub	2				
59	1724478	Disc Brake	2				
60	1106919	Capscrew, 3/8-16 x 1	8				
61	1724526	Steering Bridge	1				
62	1100046	Capscrew, 3/8-16 x 1	4				
63	1718506	Gear, 23 T	1				
64	1185711	Bronze Bearing	1				
65	1718555	Spacer	1				
66	1721405	Steering Plate	1				
67	1107064	Capscrew, 5/8-11 x 2	1				
68	1104436	Woodruff Key, 3/16 x 3/4	1				

TRACTOR MODEL 2086 (HT-20)

SERIAL NUMBER 0100101 thru 0199999

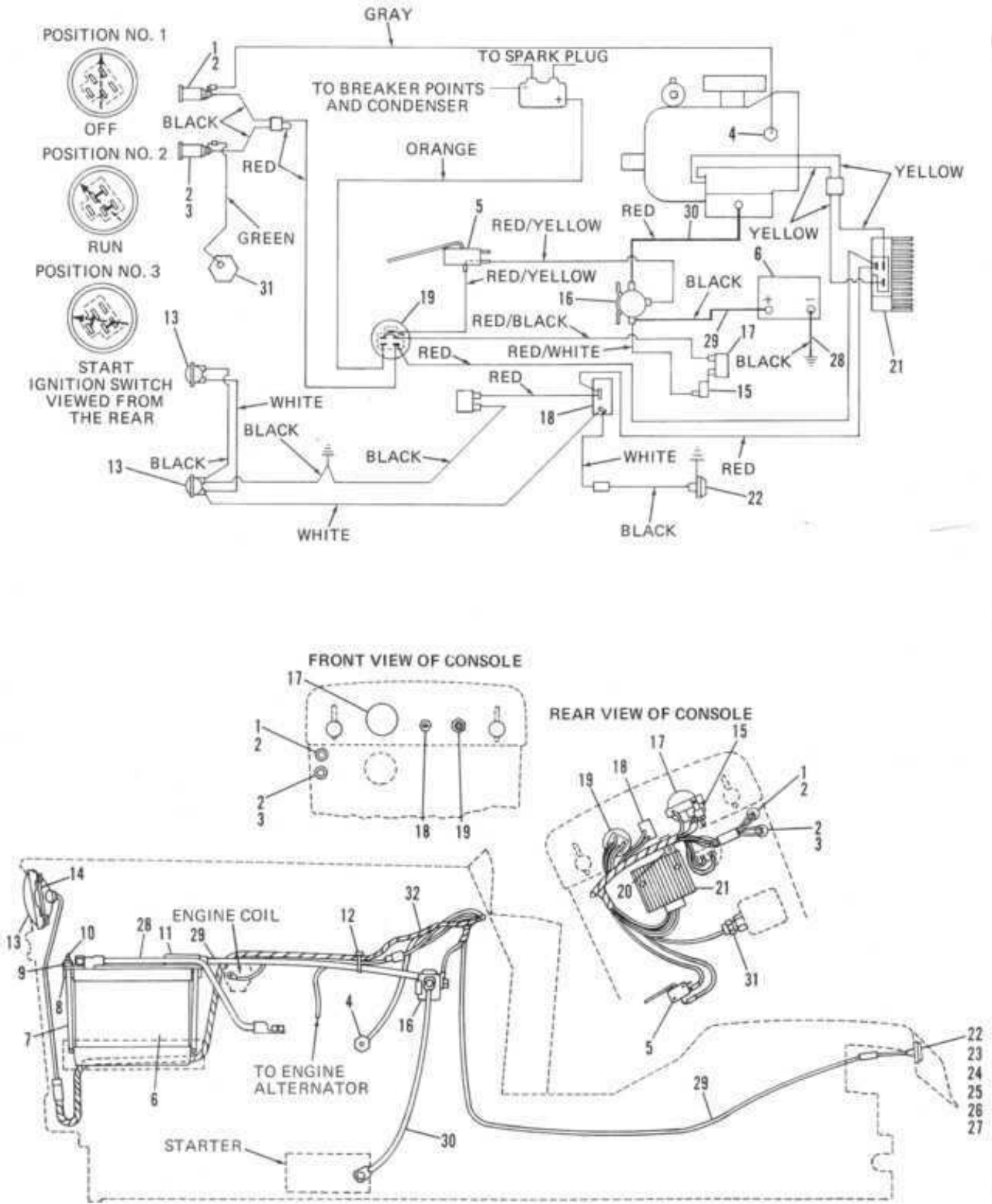


Figure 7 ELECTRICAL SYSTEM

TRACTOR MODEL 2086 (HT-20)

SERIAL NUMBER 0100101 thru 0199999

Figure 7 ELECTRICAL SYSTEM

REF. NO.	PART NO.	DESCRIPTION	NO. REQ'D.	REF. NO.	PART NO.	DESCRIPTION	NO. REQ'D.
1	1726174	Oil Indicator Lamp (Incl. Ref. No. 2)	1	17	1725031	Amp Meter	1
2	**	Bulb (Mfg. No. 1895 R/Red)	2	18	1724894	Light Switch	1
3	1726173	Heat Indicator Lamp (Incl. Ref. No. 2)	1	19	1721409	Ignition Switch	1
4	1726175	Oil Pressure Switch	1	20	1721252	"J" Clip	1
5	1725550	Interlock Switch	1	21	1725406	Regulator/Rectifier - 15 Amp	1
6	1718027	Battery	1	22	1805342	Tail Light Assembly (Incl. Ref. No. 23)	1
7	1724361	Rod	2	23	**	Bulb (Mfg. No. 1895)	1
8	1724360	Clamp	1	24	1805110	Tail Light Lens	1
9	1107382	Flat Washer	2	25	1116197	Machine Screw, No. 6-32 x 1/2	2
10	1806192	Wing Nut, 5/16-18	2	26	1103989	Lockwasher, No. 6	2
11	1721413	Terminal Boot	1	27	1186225	Nut, No. 6-32	2
12	1805345	Tie, Cable	6	28	1722733	Battery Cable, Ground	1
13	**	Headlight (Mfg. No. 4406)	2	29	1722732	Battery Cable, Positive	1
14	1806808	Spring Retainer	2	30	1722731	Wire, Starter	1
15	1725375	Circuit Breaker	1	31	1724584	Temperature Switch	1
16	1717048	Solenoid	1	32	1726376	Wiring Harness, Main	1

** Not Stocked. Purchase from your local automotive or electrical supplier.