

FMC

FMC Bolens

FMC

FMC

FMC

FMC

FMC

FMC

FMC

FMC

FMC

FMC

FMC

FMC

FMC

FMC

FMC

FMC

FMC

FMC

FMC

FMC

FMC

FMC

FMC

FMC

FMC

**Mower Attachment
48 Inch**

Model 18049

Serial Number
0400101
thru
0699999

Parts List

FORM P552271-3 (11/77)
SUPRESEDES P552271-2

BOLENS 48 INCH MOWER ATTACHMENT

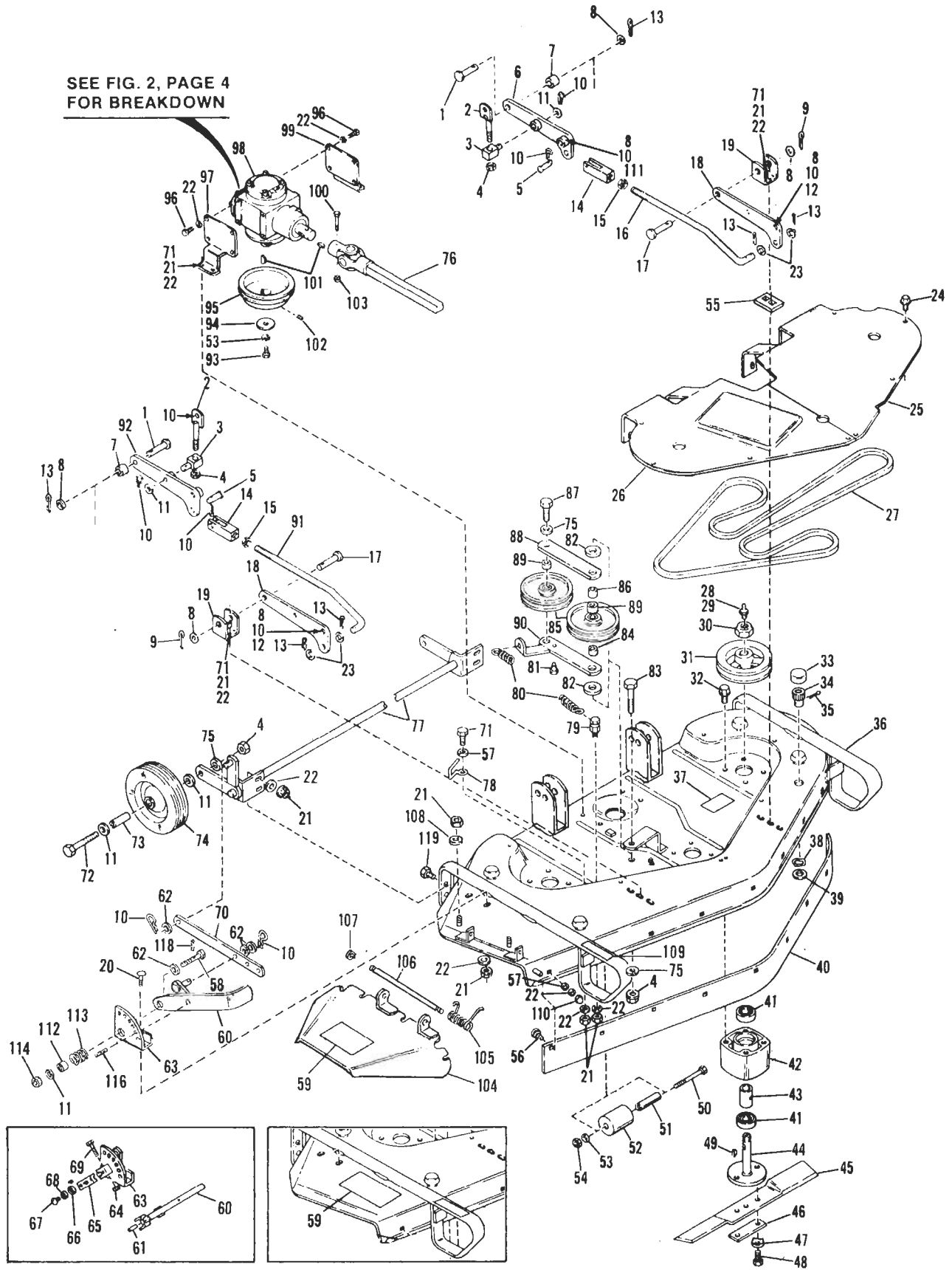


Figure 1 COMPLETE ASSEMBLY

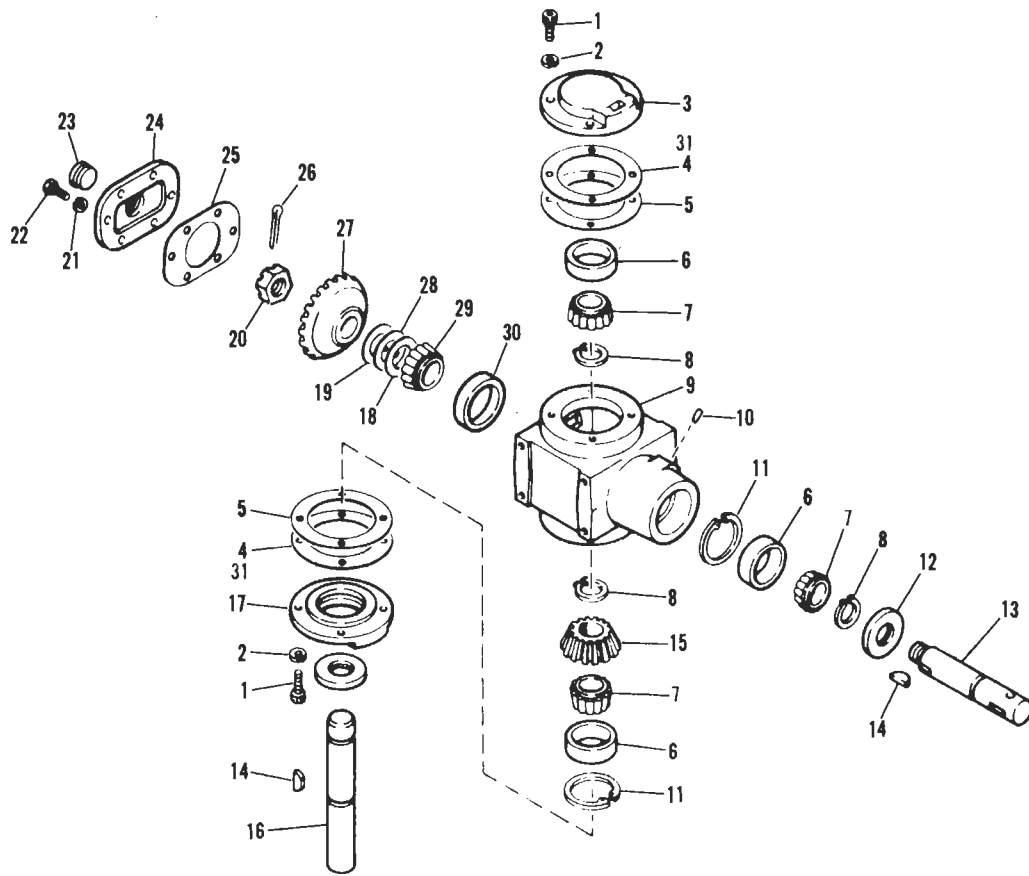
MODEL 18049

REF. NO.	PART NO.	DESCRIPTION	NO. REQ'D.	REF. NO.	PART NO.	DESCRIPTION	NO. REQ'D.
1	1718772	Clevis Pin	2	58	1731547	Special Screw (6)	1
2	1715404	Link Assembly	2	59	1724841	Decal (4)	1
3	1724316	Stud	2		1734521	Decal (6)	1
4	● 1734514	Lock Nut, 1/2-13	5	60	1718664	Handle Assembly (4)	1
5	1719324	Clevis Pin	2		1731550	Handle Assembly (6)	1
6	1724318	Left Hand Link	1	61	● 1891696	Roll Pin, 5/16 x 1-1/2 (4)	1
7	1718555	Tubular Spacer	2	62	1890234	Flat Washer, 1/2	5
8	● 1107386	Flat Washer, 5/8	10	63	1724844	Quadrant Assembly (4)	1
9	● 1100808	Hex Screw 5/16-18 x 1-1/4	4		1724843	Quadrant (6)	1
10	1723478	Spring Cotter	12	64	● 1186257	Lock Nut, 1/4-20 (4)	1
11	● 1107385	Flat Washer, 1/2	7	65	1725403	Spring (4)	1
12	1719367	Pin	2	66	● 1103959	Flat Washer, No. 10 (4)	2
13	● 1100351	Cotter Pin, 1/8 x 1-1/4	6	67	● 1114748	Machine Screw, No. 10-32 x 1-1/2 (4)	1
14	1714573	Rod End	2	68	● 1100240	Lockwasher, No. 10 (4)	1
15	● 1108891	Hex Nut, 5/8-11	2	69	● 1100811	Capscrew, 1/4-20 x 1-1/2 (4)	1
16	1722805	Left Hand Rod	1	70	1722974	Link	1
17	1708040	Clevis Pin	2	71	● 1100045	Capscrew, 5/16-18 x 1	9
18	1722726	Right Hand Link	2	72	● 1100066	Capscrew, 1/2-13 x 3-1/2	2
19	1722947	Lift Bracket Assembly, Front	2	73	1719397	Bushing	2
20	● 1186098	Capscrew, 5/16-18 x 3/4	2	74	1719381	Wheel and Tire Assembly	2
21	● 1732499	Lock Nut, 5/16-18	19	75	● 1100245	Lockwasher, 1/2	4
22	● 1100242	Lockwasher, 5/16	33	76	1722632	Drive Shaft (6)	1
23	● 1107387	Flat Washer, 3/8	4	77	1724803	Shaft Assembly	1
24	● 1724492	Flange Screw, 1/4-20 x 1/2	12	78	1724828	Belt Guide	1
25	1727725	Belt Cover, Left Hand	1	79	1715210	Bolt, Spring Anchor	1
26	1727726	Belt Cover, Right Hand	1	80	1724822	Extension Spring	1
27	1724943	V-Belt	1	81	1724924	Wear Button	1
28	1185976	Grease Fitting	2	82	1724929	Washer, Thrust	2
29	1731504	Grease Fitting, 90° (Center shaft only)	1	83	● 1100080	Capscrew, 1/2-20 x 2-3/4	1
30	● 1185093	Nut, 3/4-16	3	84	1724931	Sleeve, Bearing	1
31	1724940	Sheave, Blade (4)	3	85	1724925	Idler Pulley	2
	1727555	Sheave, Blade (6)	3	86	1724930	Sleeve, Bearing (4)	1
32	● 1724491	Flange Screw, 5/16-18 x 3/4	12		1724931	Sleeve, Bearing (6)	1
33	1719467	Cap, Protector	1	87	● 1724928	Capscrew, 1/2-20 x 1-5/8	1
34	1719461	Flange, Wash Out	1	88	1724926	Idler Arm	1
35	● 1100352	Cotter Pin, 1/8 x 1-1/2	1	89	1724927	Spacer (4)	1
36	1727729	Mower Base Assembly (4)	1		1724927	Spacer (6)	2
	1730218	Mower Base Assembly (6)	1	90	1724923	Idler Arm	1
37	1724840	Decal, Belt Drive (4)	1	91	1722806	Right Hand Rod	1
38	1719469	Washer, Wave	1	92	1724317	Right Hand Link	1
39	1703073	Thrust Washer	1	93	● 1111708	Capscrew, 3/8-24 x 5/8	1
40	1718684	Mower Guard	1	94	● 1703052	Flat Washer	1
41	1185828	Ball Bearing	6	95	1718659	Sheave	1
42	1724029	Spindle Housing	3	96	● 1103195	Capscrew, 5/16-18 x 5/8	8
43	1724033	Spacer	3	97	1727727	Support Bracket	1
44	1724942	Shaft Assembly	3	98	1719710	Gear Box Assembly	1
45	1726138	Blade	3	99	1718660	Bracket	1
46	1724051	Plate	3	100	● 1111601	Capscrew, 1/4-20 x 1-3/4	1
47	● 1724034	Washer, Shakeproof, 3/8 (Pyramid) (4)	6	101	1100276	Woodruff Key, 1/4 x 7/8	2
	● 1100242	Lockwasher (6)	6	102	● 1185919	Set Screw, 5/16-18 x 3/8	2
48	● 1100009	Capscrew, 3/8-24 x 1	6	103	● 1110106	Lock Nut, 1/4-20	1
49	1104436	Woodruff Key, 3/16 x 3/4	3	104	1729348	Discharger Deflector (6)	1
50	● 1186411	Capscrew, 3/8-16 x 6	1	105	1728695	Torsion Spring (6)	1
51	1720578	Spacer	1	106	1729347	Hinge Rod (6)	1
52	1720577	Roller	1	107	1729447	Klip Ring (6)	2
53	● 1100243	Lockwasher, 3/8	2	108	● 1100255	Flat Washer (6)	3
54	● 1186231	Nut, 3/8-16	4	109	1709037	Decal	1
55	1720372	Support Plate	2	110	● 1109939	Acorn Nut, 5/16-18	9
56	● 1186098	Carriage Bolt, 5/16-18 x 3/4	9	111	1718772	Clevis Pin	4
57	● 1107382	Flat Washer, 5/16	10	112	1715387	Spacer (6)	1
				113	1716583	Spring (6)	1
				114	● 1185496	Jam Lock Nut 1/2-13 (6)	1
				115	● 1185256	Roll Pin 3/16 x 7/8 (6)	1
				116	● 1733103	Drive Pin 5/16 x 3/4 (6)	1

(4) Serial Number 0400101 thru 0499999

(6) Serial Number 0600101 and up

● Common Hardware — Purchase Locally
Grade 5 Where Applicable



REF. NO.	PART NO.	DESCRIPTION	NO. REQ'D.	REF. NO.	PART NO.	DESCRIPTION	NO. REQ'D.
1	● 1110818	Capscrew, 5/16-18 x 3/4	8	18	1800750	Shim, 1-1/2 x .003	1
2	● 1100242	Lockwasher, 5/16	8	19	1800338	Shim, .015	1
3	1718620	Bearing Retainer	1	20	● 1185662	Slotted Nut, 7/8-14 UNF	1
4	1719501	Gasket	2	21	● 1100241	Lockwasher, 1/4	6
5	1717456	Gasket	10	22	● 1100805	Capscrew, 1/4-20 x UNC-3	6
6	1185660	Bearing Cup	3	23	● 1100937	Plug, 3/4-14 NPT	1
7	1185661	Bearing Cone	3	24	1717448	Cover	1
8	1185689	Retaining Ring	3	25	1717449	Gasket Cover	1
9	1717446	Gear Case (incl. Ref. Nos. 18, 19, 28, 29 & 30)	1	26	● 1100352	Cotter Pin, 1/8 x 1-1/2	1
10	182682	Breather	1	27	1717459	Gear, 29 T	1
11	1118735	Retaining Ring	2	28	1800751	Shim, 1-1/2 x .005	1
12	1185687	Oil Seal	2	29	1185688	Bearing Cone	1
13	1718622	Input Shaft	1	30	1185118	Bearing Cup	1
14	1709611	Woodruff Key, 1/4 x 7/8	2	31	1721346	Gasket .030	1
15	1717457	Bevel Pinion, 18 T	1		1719710	Gear Case Assy. (Incl. Ref. Nos. 1 thru 31)	1
16	1718621	Shaft, Output	1				
17	1717454	Bearing Retainer	1				

● Common Hardware — Purchase Locally Grade 5 Where Applicable

Figure 2 GEAR CASE ASSEMBLY