
Bolens[®]

Tractor

Model 2288

Model 2289

Serial Number

0100101 thru

0199999

Parts List

BOLENS HT TRACTOR

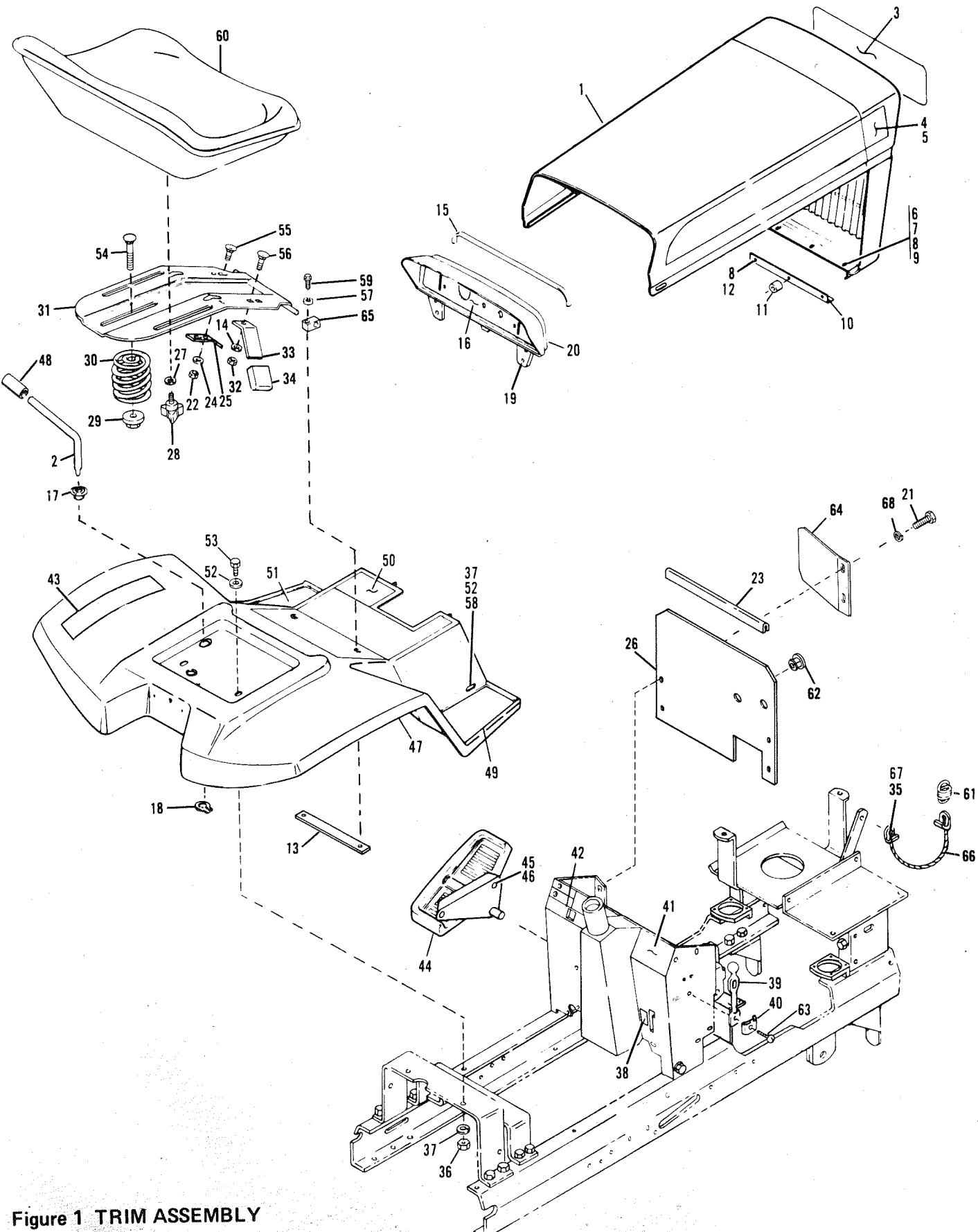
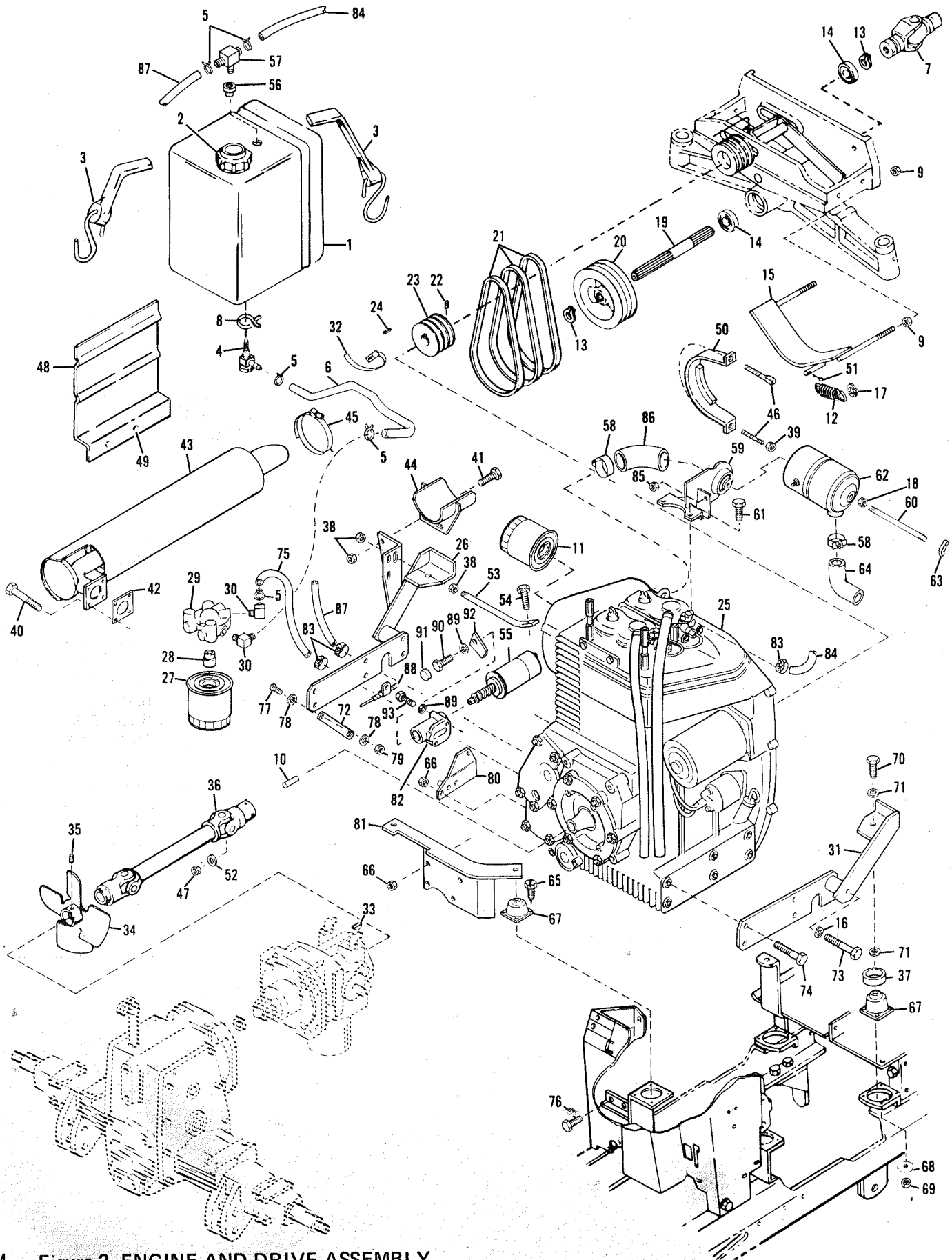


Figure 1 TRIM ASSEMBLY

REF. NO.	PART NO.	DESCRIPTION	NO. REQ'D.	REF. NO.	PART NO.	DESCRIPTION	NO. REQ'D.
1	1727279	Grille and Hood w/o Decals.	1	31	1734115	Seat Support Assy	1
2	1735130	Shift Lever	1	32 •	1110107	Locknut, 5/16-18	1
3	1736267	Decal, Grille	1	33	1735517	Seat Support Stand	1
4	1738430	Decal, Hood, Right Hand (2289)	1	34	1735054	Handle Grip	1
	1738844	Decal, Hood, Right Hand (2288)	1	35 •	1110106	Nut, 1/4-20	1
5	1738429	Decal, Hood, Left Hand (2289)	1	36 •	1186231	Nut, 3/8-16	2
	1738843	Decal, Hood, Left Hand (2288)	1	37 •	1100243	Lockwasher, 3/8	4
6 •	1103195	Capscrew, 5/16-18 x 5/8	3	38	1736295	Decal, PTO.	1
7 •	1107382	Flat Washer, 5/16	3	39	1727127	Latch	2
8 •	1100242	Lockwasher, 5/16	6	40	1727126	Clip	2
9 •	1186230	Nut, 5/16-18	3	41	1736296	Decal, Caution	1
10	1717246	Hinge	1	42	1736297	Decal, Hydraulic Control	1
11	1722833	Spacer	3	43	1736270	2 Speed Decal.	1
12 •	1100779	Capscrew, 5/16-18 x 1-3/4	3	44	1739496	Foot Pedal, Left Hand	1
13	1734393	Reinforcing Plate.	1	45	1177548	Lockwasher, 5/16	2
14	1705905	Bowed Washer	1	46 •	1103195	Capscrew, 5/16-18 x 5/8	2
15	1717599	Rubber Pad	1	47	1736014	Rear Fender	1
16	1738432	Decal, Instructions (2289)	1	48	1736271	Handle Grip	1
	1739629	Decal, Instructions (2288)	1	49	1719183	Foot Pad, Right Hand	1
17	1735131	Grommet.	1	50	1737119	Decal, Instructions.	1
18	1735132	Grip Ring.	1	51	1719182	Foot Pad, Left Hand	1
19	1186389	Nut, Flange, 1/4-20	2	52 •	1107383	Flat Washer, 3/8	4
20	1733054	Instrument Panel.	1	53 •	1100046	Capscrew, 3/8-16 x 1	2
21	1186308	Whiz-Lock Capscrew, 1/4-20 x 1/2	4	54 •	1186130	Carriage Bolt, 3/8-16 x 1-1/4	1
22 •	1186229	Hex Nut, 1/4-20	1	55 •	1186067	Carriage Bolt, 1/4-20 x 1/2	1
23	1738325	Strip Seal.	1	56 •	1186098	Round Hd Bolt, 5/16-18 x 3/4	1
24 •	1100241	Lockwasher, 1/4	1	57 •	1100242	Lockwasher 5/16	2
25	1734637	Actuator Bracket.	1	58 •	1103212	Capscrew, 3/8-16 x 5/8.	2
26	1738324	Heat Shield Assembly.	1	59 •	1100808	Capscrew, 5/16-18 x 1-1/4	2
27 •	1100256	Flat Washer, 3/8	2	60	1733027	Seat	1
28	1734269	Seat Knob	2	61	1727269	Spring	1
29	1735125	Nut and Washer.	1	62	1729587	Snap Bushing	2
30	1733960	Spring	1	63	1728772	Pop Rivet, 3/16.	2
				64	1740555	Heat Shield	1
				65	1735265	Pivot Block	2
				66	1727268	Lanyard.	1
				67 •	1100805	Capscrew, 1/4-20 x 3/4.	1
				68	1177548	Shakeproof Washer	4

• Common Hardware - Purchase Locally (Grade 5 where applicable)

BOLENS HT TRACTOR



4 Figure 2 ENGINE AND DRIVE ASSEMBLY

MODEL 2289 (HT-20)
MODEL 2288 (HT-22)

REF. NO.	PART NO.	DESCRIPTION	NO. REQ'D.	REF. NO.	PART NO.	DESCRIPTION	NO. REQ'D.
1	1738320	Gas Tank	1	45	1740083	Snaplock Hose Clamp.	1
2	1738426	Fuel Gauge	1	46	1738657	PTO Cable	1
3	1727577	Strap.	1	47	1738733	Special Locknut	1
4	1734532	Shut Off Valve	1	48	1738709	Baffle	1
5	1718185	Hose Clamp	5	49	1724492	Screw, Self Tapping.	2
6	1739672	Fuel Line.	1	50	1738655	Band Assy, Brake	1
7	1723790	Universal Joint	1	51	• 1185147	Cotter Pin, 3/32 x 5/8	1
8	1723474	Hose Clamp	1	52	1706594	Flat Washer	1
9	• 1186231	Hex Nut, 3/8-16	4	53	1738326	Strut.	1
10	1738732	Stud	1	54	1738835	Flange Screw M8 x 16	1
11	1739922	Oil Filter, Engine	1	55	1740403	Solenoid (2289)	1
12	1723117	Ext. Spring.	1	56	1738433	Rubber Bushing	1
13	1185689	Retaining Ring	2	57	1738434	Tee.	1
14	1185100	Ball Bearing	2	58	1721452	Clamp.	3
15	1733484	Belt Guide Assembly	1	59	1738289	Bracket and Adapter Assy.	1
16	• 1100242	Lockwasher, 5/16	2	60	1721449	Stud	1
17	1725197	Grip Ring.	1	61	1738836	Flange Screw M10 x 20	2
18	• 1186229	Hex Nut, 1/4-20	1	62	1731450	Air Cleaner Assy.	1
19	1736353	PTO Shaft	1	63	• 1709652	Wing Nut, 1/4-20.	1
20	1733475	PTO Sheave	1	64	1738327	Hose	1
21	1722639	Drive Belt 3" (Matched (Set Of 3).	1	65	1185712	Self Tap Screw, No. 10-24 x 1/2.	16
22	1103470	Set Screw, 5/16-18 x 1/2	2	66	1738837	Flange Nut M8	4
23	1722662	Drive Sheave.	1	67	1738010	Mount.	4
24	1108844	Square Key, 1/4 x 1-1/4	1	68	1186047	Flat Washer	4
25	*	Wisconsin Engine, Model WD2-860 (2289)	1	69	• 1110108	Lock Nut, 3/8-16	4
	*	Ducati Engine Model 21S22 (2288)	1	70	1100770	Hex Screw, 3/8-16 x 2-3/4	4
26	1738315	Engine Support Assy L.H	1	71	1704487	Flat Washer	8
27	1738804	Fuel Filter	1	72	1739399	Control Arm.	1
28	1738802	Coupling	1	73	1738833	Hex Screw M8 x 90	2
29	1738805	Filter Manifold	1	74	1738834	Hex Screw M8 x 25	10
30	1738803	90° Elbow.	2	75	1734942	Fuel Line.	1
31	1738311	Engine Support Assy R.H	1	76	1186329	Flange Screw, 5/16-18 x 3/4	2
32	1805345	Tie	6	77	1118188	Rd Hd Screw , No. 10-24 x 1-1/4	1
33	1186016	Hi-Pro Key.	1	78	• 1103959	Flat Washer, No. 10.	2
34	1738427	Fan.	1	79	• 1185460	Lock Nut, No. 10-24	1
35	1738814	Set Screw, 5/16-18 x 1-1/4	1	80	1739398	Control Anchor Plate	1
36	1738331	Drive Shaft.	1	81	1738298	Rear Engine Mount Assy.	1
	1724401	Drive Shaft Repair Kit (Rockwell or Weasler).	2	82	1739899	Solenoid Housing (2289)	1
	1714208	Drive Shaft Repair Kit NEAPCO)	2	83	1739676	Hose Clamp	5
37	1738295	Tube Assy (R.H. Front)	1	84	1727985	Fuel Line.	1
38	1186393	Flange Nut, 3/8-16	4	85	1186389	Flange Nut, 1/4-20	1
39	• 1110106	Lock Nut, 1/4-20	1	86	1738328	Hose	1
40	1738838	Flange Screw M8-20.	4	87	1735123	Fuel Line.	1
41	1186348	Flange Screw, 1/2-13 x 1-1/4	2	88	1738422	Throttle Control	1
42	1722530	Gasket, Exhaust	1	89	• 1100241	Lockwasher, 1/4 (2289)	3
43	1739666	Exhaust Muffler	1	90	1111683	Hex Screw, 1/4-28 x 1/2 (2289).	1
44	1738283	Support, Muffler	1	91	1740346	Expansion Plug (2289)	1
				92	1739908	Control Arm (2289).	1
				93	1739906	Hex Screw M6 x 50 (2289)	2

• Common Hardware - Purchase Locally (Grade 5 where applicable)

*Purchase parts from your Ducati or Wisconsin Engine Outlet.

BOLENS HT TRACTOR

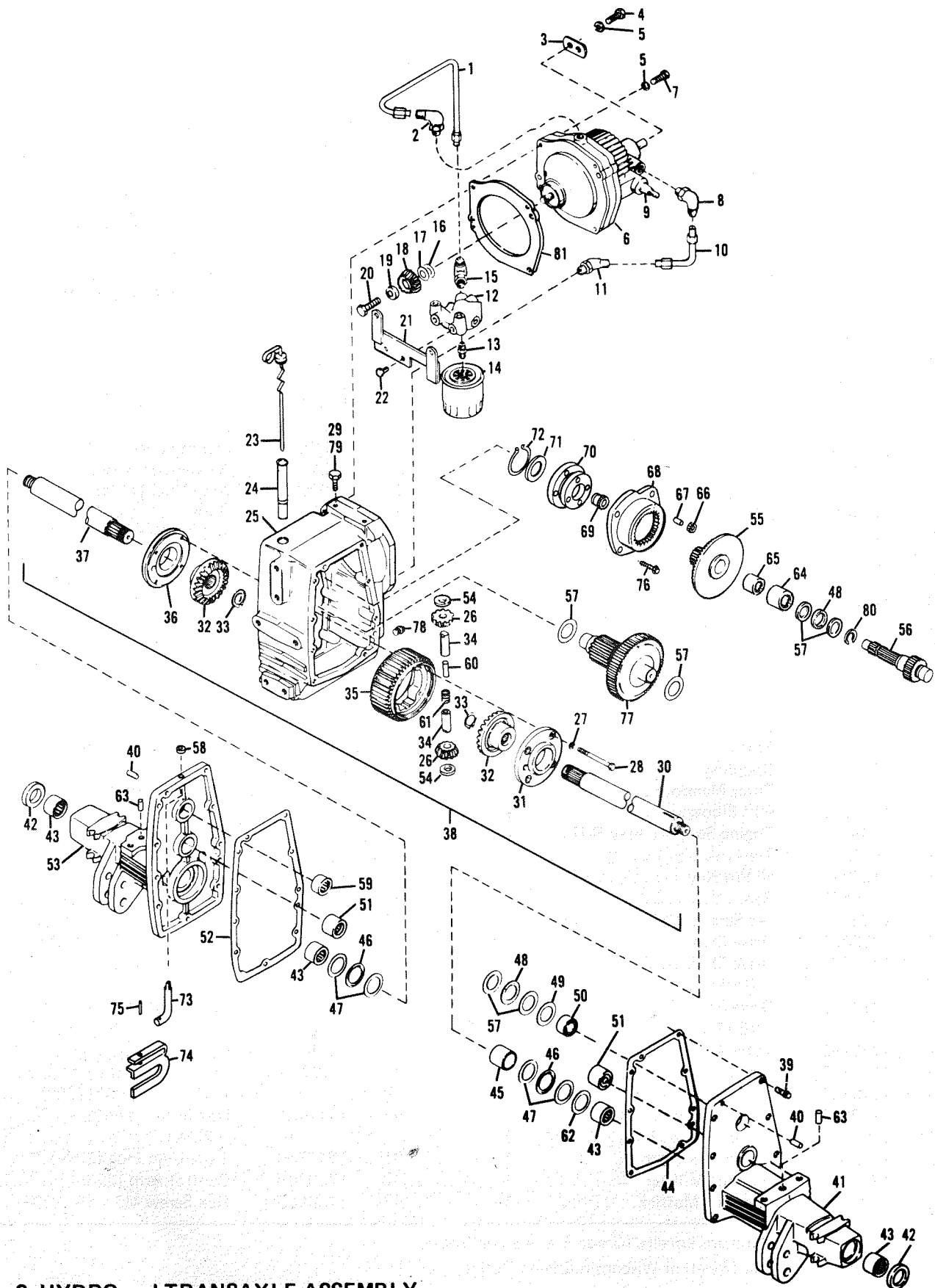


Figure 3 HYDRO and TRANSAXLE ASSEMBLY

REF. NO.	PART NO.	DESCRIPTION	NO. REQ'D.	REF. NO.	PART NO.	DESCRIPTION	NO. REQ'D.
1	1736236	Tube Assy..	1	42	1185929	Oil Seal	2
2	1185737	90° Elbow Fitting.	1	43	1728081	Bearing, Needle, 1-3/4 O.D..	4
3	1734197	Neutral Anchor.	1	44	1724086	Gasket, Cover, R.H..	1
4	• 1111614	Hex Screw, 3/8-16 x 3	1	45	1724094	Spacer.	1
5	• 1100243	Lock Washer, 3/8	4	46	1186007	Bearing, Roller, Thrust	2
6	1736048	L.H. Hydrostatic Package	1	47	1186006	Race, Thrust.	4
7	• 1100770	Hex Screw, 3/8-16 x 2-3/4	4	48	1185764	Bearing, Roller, Thrust	2
8	1724390	90° Elbow Fitting.	1	49	1718781	Shim .005	AR
9	1724370	Control Shaft Seal.	1	50	1185774	Bearing, Needle (Closed End)	1
10	1732186	Tube Assy..	1	51	1185720	Bearing, Needle (Closed End)	2
11	1732238	45° Elbow.	1	52	1724087	Gasket, Cover, L.H..	1
12	1736172	Filter Manifold	1	53	1738161	Cover, Transaxle Housing, L.H. (Incl. Ref. Nos. 43, 50 & 59)	1
13	1721921	Special Coupling	1				
14	1726450	Cil Filter	1	54	*1715301	Thrust Washer.	2
15	1185739	90° Elbow.	1	55	1727735	Bevel Gear, 56T, 24T & 23T	1
16	1730375	Shim. .015	AR	56	1734077	Pinion Shaft, 25T	1
17	1730374	Shim. .005	AR	57	1186002	Thrust Race, 1/8.	6
18	1729531	Bevel Pinion, 18T	1	58	1729555	Oil Seal	1
19	1729559	Spacer.	1	59	1186276	Bearing	1
20	• 1111599	Hex Screw, 1/4-20 x 5/8.	1	60	1732166	Dowel Pin	1
21	1732230	Filter Bracket.	1	61	1734339	Compression Spring.	1
22	1186329	Flange Screw, 5/16-18 x 3/4	2	62	1728080	Shim.	2
23	1724092	Dip Stick	1	63	1735982	Pin	2
24	1724090	Tube.	1	64	1185721	Bearing	1
25	1726046	Housing, Transaxle	1	65	1725907	Bearing	1
26	*1731865	Bevel Pinion, 10T	2	66	1725945	Planet Gear	1
27	• 1100242	Lock Washer, 5/16.	4	67	1726082	Pin	4
28	1186015	Capscrew, 5/16-18 x 3-1/2 H.T..	4	68	1725944	Internal Ring Gear.	1
29	• 1100243	Lock Washer, 3/8	2	69	1725909	Sliding Gear	1
30	1724076	Axle, R.H..	1	70	1725942	Planet Carrier	1
31	1724072	Carrier, Bull Gear, R.H.	1	71	1726050	Thrust Washer.	1
32	1724074	Bevel Gear, 22T	2	72	1186461	Retaining Ring	1
33	1185732	Retaining Ring, External.	2	73	1728850	Shifter Shaft.	1
34	1732161	Pinion Shaft	2	74	1725912	Shifter Plate	1
35	1724085	Bull Gear, 44T	1	75	1185389	Drive Pin	1
36	1724071	Carrier, Bull Gear, L.H..	1	76	1730012	Screw, Counter Box, 5/16-18 x 1	4
37	1724077	Axle, L.H..	1	77	1733867	Cluster Gear, 16T & 45T.	1
38	1736029	Differential Assembly (Incl. Ref. Nos. 26 thru 28 & 30 thru 37)	1	78	1185930	Pipe Plug	1
39	1185771	Capscrew, Counterbore, 3/8-16 x 1	17	79	• 1100046	Capscrew, 3/8-16 x 1	2
40	1110189	Dower Pin, 3/8 x 1	4	80	1726051	Positioning Ring	1
41	1738152	Cover, Transaxle Housing, R.H. (Incl. Ref. Nos. 43, 50 & 51)	1	81	1720282	Gasket.	1
				NI	1738157	Trans. Fluid, 1 Gal.	

• Common Hardware - Purchase Locally. (Grade 5 where applicable)

*If Assembly Does Not Have Thrust Washers, Install Both Bevel Pinions and Thrust Washers

BOLENS HT TRACTOR

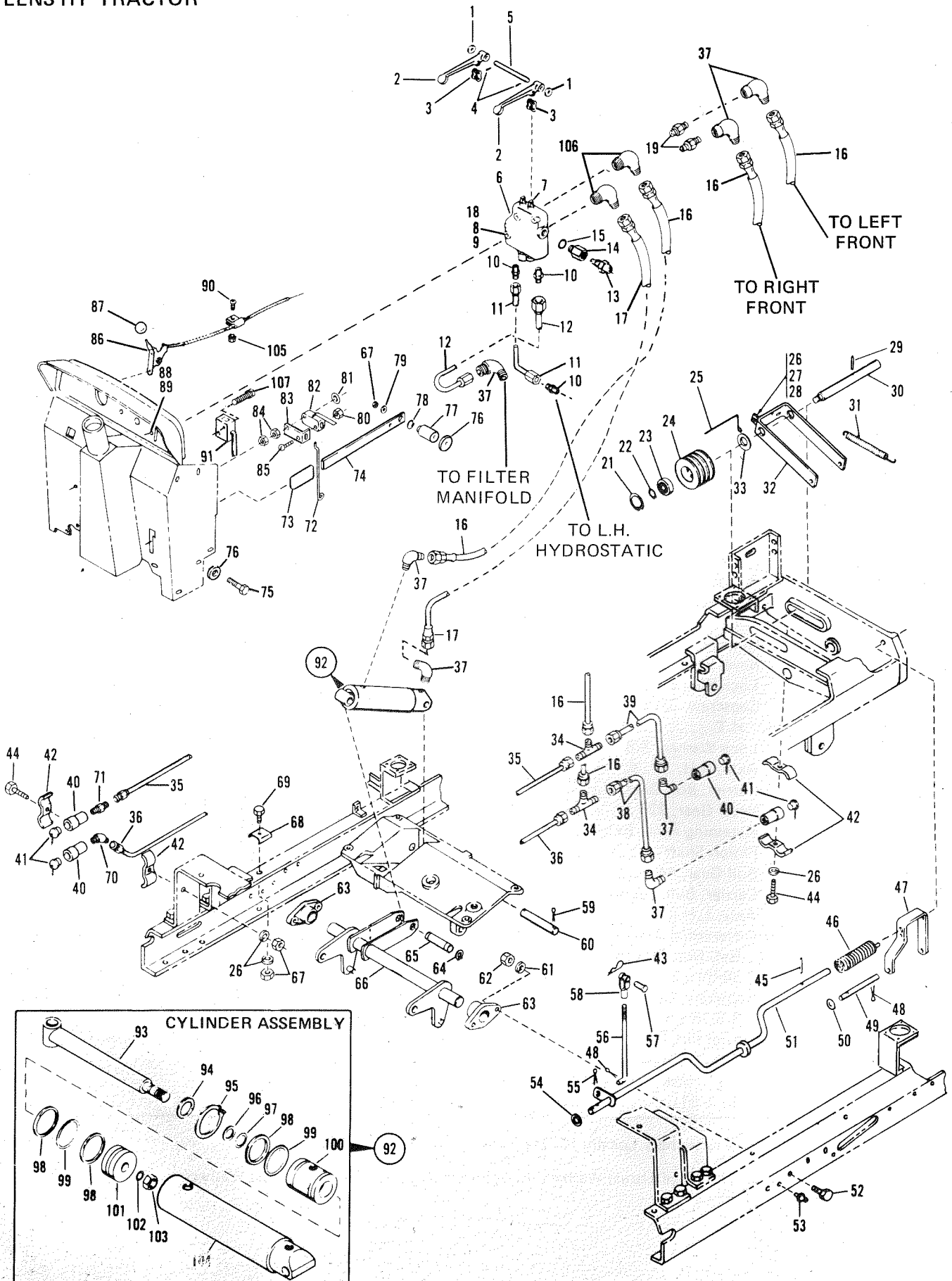


Figure 4 HAND CONTROLS and LIFT ASSEMBLY

MODEL 2289 (HT-20)
MODEL 2288 (HT-22)

REF. NO.	PART NO.	DESCRIPTION	NO. REQ'D.	REF. NO.	PART NO.	DESCRIPTION	NO. REQ'D.
1	• 1107382	Flat Washer, 5/16	2	56	1724458	PTO Control Rod	1
2	1722539	Lever, Control Valve	2	57	1112587	Clevis Pin	1
3	1185018	Link, Connector, 5/8P	2	58	222007	Clutch Yoke	1
4	• 1100346	Cotter Pin, 3/32 x 3/4	2	59	• 1100351	Cotter Pin, 1/8 x 1-1/4	2
5	1722546	Rod, Control Valve	1	60	1724585	Pivot Pin	1
6	1734337	Control Valve Assy., 2 Spool	1	61	• 1100243	Lockwasher, 3/8	4
7	1738514	O-Ring Repair Kit	1	62	• 1110108	Lock Nut, 3/8-16	4
8	• 1100241	Lockwasher, 1/4	2	63	1718593	Block Bearing	2
9	• 1186229	Nut, 1/4-20	2	64	1113527	Retaining Ring	2
10	1717563	Connector	3	65	1724704	Pin, Cylinder Rod	1
11	1736173	Return Tube Assembly	1	66	1724357	Pivot Shaft	1
12	1736174	Pressure Tube Assembly	1	67	• 1186230	Nut, 5/16-18	3
13	1736315	Temperature Switch	1	68	1722667	Clamp, Tubing	1
14	1724358	Plug, Adapter	1	69	• 1100808	Capscrew, 1/4-20 x 1-1/4	1
15	1185773	O-Ring	1	70	1185903	Elbow, 45°	1
16	1719178	Cylinder Hose Assembly	3	71	1721989	Connector	1
17	1719179	Cylinder Hose Assembly	1	72	1726345	Control, Switch	1
18	• 1100807	Capscrew, 1/4-20 x 2	2	73	1736688	Handle Grip	1
19	1862120	Adapter	2	74	1723304	PTO Lever	1
20	1725197	Grip Ring	1	75	• 1111609	Capscrew, 5/16-18 x 2-3/4	1
21	1187439	Retaining Ring, Internal	1	76	1723384	Special Washer	2
22	1118809	Retaining Ring, External	1	77	1723302	PTO Lever Support	1
23	1185064	Ball Bearing	1	78	1701411	Bowed Washer	1
24	1719202	Idler Sheave	1	79	1708268	Washer	1
25	1718606	Belt Guide	1	80	• 1726432	Lock Nut, No. 4-40	1
26	• 1100242	Lockwasher, 5/16	4	81	1726140	Speed Nut, Push On	3
27	• 1103195	Capscrew, 5/16-18 x 5/8	1	82	1725550	PTO Switch	1
28	• 1107382	Flat Washer, 5/16	1	83	1726346	Bracket, Switch	1
29	1185376	Roll Pin, 3/16 x 1-1/2	1	84	• 1186225	Nut, No. 6-32	2
30	1718567	Idler Shaft	1	85	• 1186273	Mach. Screw, No. 4-40 x 5/8	1
31	1703615	Extension Spring	1	86	1738422	Throttle Control	1
32	1718616	Idler Shaft Bail	1	87	1724527	Knob Only	1
33	1107387	Flat Washer, 3/4	1	88	• 1116287	Mach. Screw, No. 10-24 x 5/8	2
34	1185904	Tee	2	89	• 1185985	Nut, No. 10-24	2
35	1722696	Tube Assembly, 37° Flared	1	90	• 1100115	Rd. Hd. Screw, No. 10-14 x 1/2	1
36	1722697	Tube Assembly, 37° Flared	1	91	1728198	Switch	1
37	1185739	Elbow, 90°	7	92	1724520	Cylinder (Incl. Nos. 93 thru 104)	1
38	1722698	Tube Assembly, 37° Flared	1	93	1724512	Piston Rod Assembly	1
39	1722699	Tube Assembly, 37° Flared	1	94	1185266	Oil Seal	1
40	1717627	Coupling, Body	4	95	1118735	Snap Ring	1
41	1720733	Plug, Dust	4	96	1186019	Ring Washer	1
42	1722560	Clamp, Coupling	4	97	1177395	O-Ring	1
43	1703011	Pin, Hairspring	1	98	1186018	Ring Washer	3
44	• 1111606	Capscrew, 5/16-18 x 2	2	99	1186017	O-Ring	2
45	1185552	Drive Pin, 3/16 x 1-3/4	1	100	1724511	Cylinder Head	1
46	1722565	Torsion Spring	1	101	1724515	Piston	1
47	1718528	Control Arm	1	102	1177509	O-Ring	1
48	• 1100346	Cotter Pin, 3/32 x 3/4	4	103	• 1110154	Lock Nut, 5/8-18	1
49	1718533	Arm Pin	1	104	1724516	Cylinder Tube	1
50	1107383	Flat Washer, 3/8	2	105	• 1185460	Lock Nut, No. 10-24	1
51	1722564	Control Rod	1	106	1185739	Elbow, 90°	2
52	• 1100047	Capscrew, 3/8-16 x 1-1/2	4	107	1729480	Screw No. 4-40 x 5/8	2
53	1185976	Grease Fitting	2				
54	• 1107385	Flat Washer, 1/2	2				
55	• 1100356	Cotter Pin, 3/32 x 1	2				

• Common Hardware - Purchase Locally (Grade 5 where applicable)

BOLENS HT TRACTOR

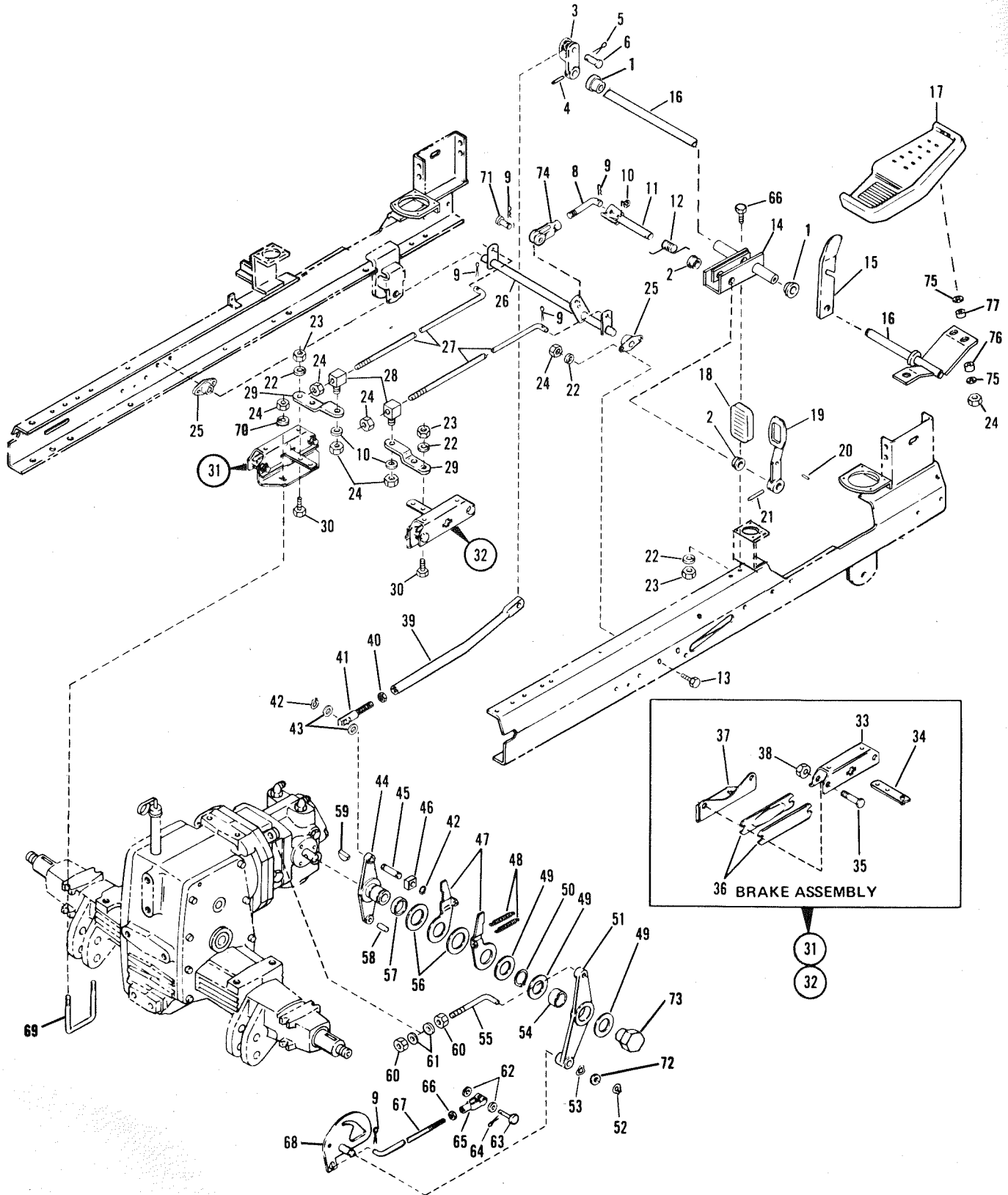


Figure 5 BRAKE and HYDRO CONTROL ASSEMBLY

REF. NO.	PART NO.	DESCRIPTION	NO. REQ'D.	REF. NO.	PART NO.	DESCRIPTION	NO. REQ'D.
1	1185802	Flange Bushing	2	37	1724473	Support, Brake	1
2	1734160	Flange Bushing	2	38	1724591	Lock Nut.	2
3	1736109	Control Arm.	1	39	1732184	Control Rod.	1
4	1713432	Drive Pin, 1/16 x 1-1/4.	1	40	• 1186261	Jam Nut, 1/2-13	1
5	• 1100350	Cotter Pin, 1/8 x 1.	1	41	1724446	Rod End	1
6	1724632	Clevis Pin, 1/2 x 1-1/4	1	42	1185219	Retaining Ring, External.	1
7	1739499	Vibration Bushing	3	43	1890948	Flat Washer	2
8	1732226	Tie Rod.	1	44	1732391	Speed Control Arm	1
9	• 1100346	Cotter Pin, 3/32 x 3/4	4	45	1724445	Control Pin	1
10	• 1107383	Flat Washer, 3/8	3	46	1720699	Cushion Block	1
11	1724434	Brake Arm Assembly	1	47	1725359	Neutralizer Arm	2
12	1724453	Torsion Spring	1	48	1724582	Extension Spring.	2
13	• 1100068	Capscrew, 3/8-16 x 1/2. 3/4	4	49	1720529	Thrust Washer.	3
14	1724569	Support Assembly, Control Shaft	1	50	1185732	Retaining Ring, External.	1
15	1736199	Latch Assembly, Brake.	1	51	1735998	Neutral Stop Arm	1
16	1739627	Control Pedal Support Assy.	1	52	1118804	Retaining Ring	1
17	1739628	Speed Control Pedal.	1	53	1706782	Wave Washer.	1
18	1719539	Pedal Pad.	1	54	1732833	Bearing	1
19	1724437	Brake Pedal	1	55	1732189	Rod, Neutral Adjuster	1
20	1120209	Roll Pin, 3/16 x 3/4.	1	56	1720361	Thrust Washer.	2
21	1185232	Drive Pin, 3/16 x 1-1/4.	1	57	1720706	Bearing	1
22	• 1100243	Lockwasher, 3/8	10	58	1110187	Dowel Pin	1
23	• 1186231	Nut, 3/8-16	6	59	1104435	Woodruff Key.	1
24	• 1110108	Lock Nut, 3/8-16	10	60	• 1186232	Nut, 7/16-14	2
25	1724457	Flange Bearing	2	61	• 1100265	Flat Washer, 1/4	2
26	1724440	Shaft Assembly, Transfer	1	62	• 1107382	Flat Washer, 5/16	2
27	1724461	Brake Rod	2	63	1705602	Clevis Pin, 5/16 x 1-1/16.	1
28	1724459	Swivel	2	64	• 1100349	Cotter Pin, 1/8 x 3/4	1
29	1724460	Arm, Brake Extension	2	65	1710583	Rod End	1
30	• 1100046	Capscrew, 3/8-16 x 1	4	66	• 1100068	Capscrew, 3/8-16 x 3/4.	2
31	1724580	Brake Assembly, L.H. (Incl. Ref. Nos. 33 thru 38).	1	67	1735995	Rod, Lock Plate Control.	1
32	1724599	Brake Assembly, R.H. (Incl. Ref. Nos. 33 thru 38).	1	68	1735994	Lock Plate Assembly	1
33	1724587	Bracket, Secondary	1	69	1724468	U-Bolt, 3/8-16	2
34	1724588	Lever, Actuating	1	70	1185715	Lockwasher, 3/8 Pyramid	4
35	1724590	Bolt	2	71	1112587	Clevis Pin.	1
36	1724589	Stator Plate	2	72	1890234	Flat Washer	1
				73	1730087	Hydro Control Nut	1
				74	222007	Yoke.	1
				75	1704487	Flat Washer	6
				76	1739498	Vibration Ring	3
				77	1739499	Vibration Ring	3

• Common Hardware - Purchase Locally (Grade 5 where applicable)

BOLENS HT TRACTOR

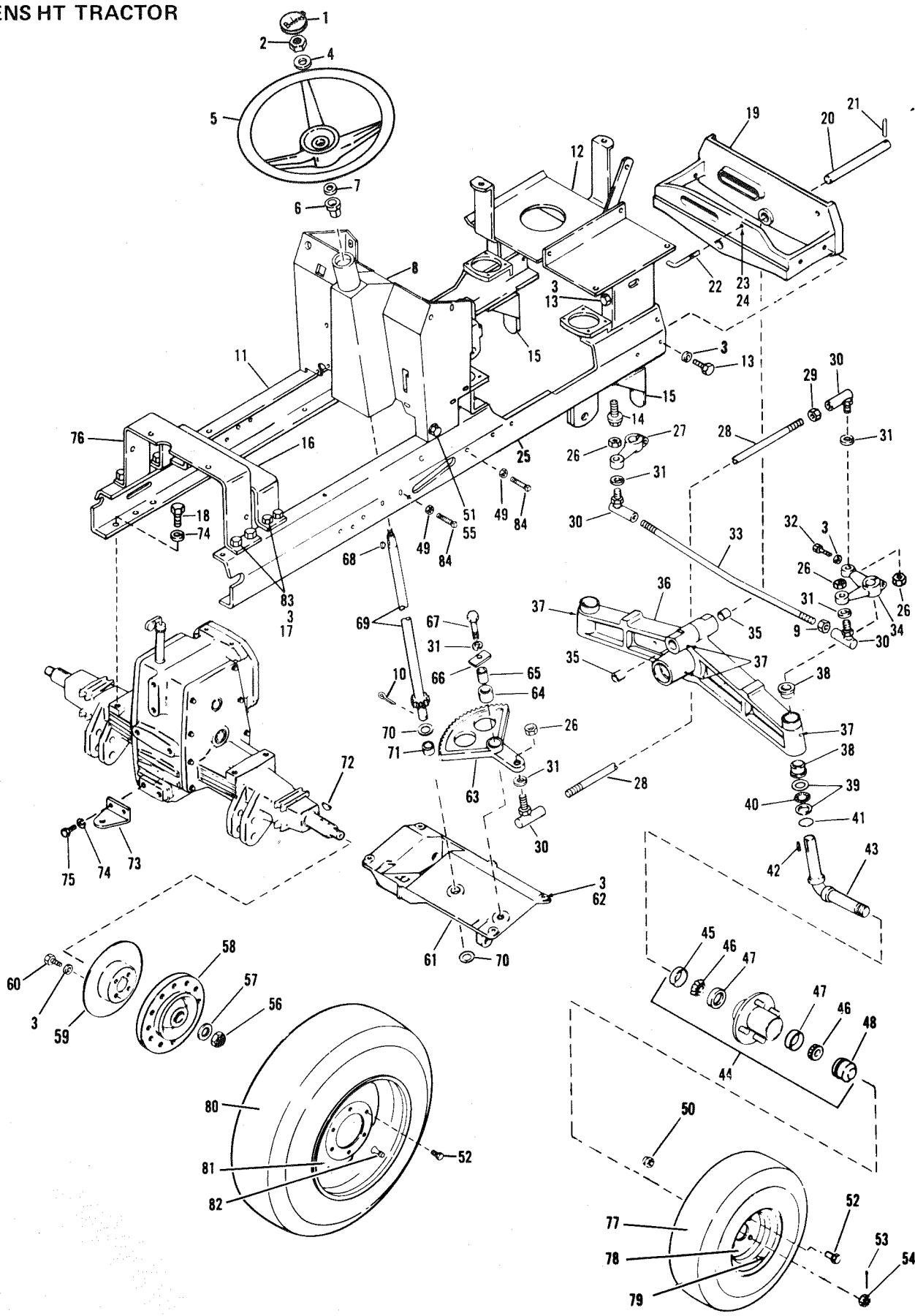


Figure 6 FRAME, STEERING and AXLE ASSEMBLIES
12

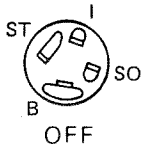
REF. NO.	PART NO.	DESCRIPTION	NO. REQ'D.	REF. NO.	PART NO.	DESCRIPTION	NO. REQ'D.
1	1737071	Steering Wheel Cap	1	44	1730406	Wheel Hub Assembly (Incl. Ref. Nos. 45 thru 48) . . .	2
2	• 1110108	Nut, 3/8-16	1	45	1719601	Felt Seal	2
3	• 1100243	Lockwasher, 3/8	30	46	1185661	Cone, Roller Bearing	4
4	• 1107383	Flat Washer, 3/8	1	47	1185660	Cup, Roller Bearing	4
5	1736980	Steering Wheel	1	48	1719599	Cap.	2
6	1720134	Bearing, Self-Aligning.	1	49	• 1186259	Nut, Jam, 3/8-16.	2
7	1708012	Washer	AR	50	1724322	Wheel Nut	8
8	1738292	Steering Column	1	51	• 1103195	Capscrew, 5/16-18 x 5/8 . . .	2
9	1185082	Nut, 5/8-18	1	52	1715428	Wheel Bolt, 1/2-20.	12
10	• 1100351	Cotter Pin, 1/8 x 1-1/4.	1	53	• 1104222	Cotter Pin, 3/16 x 1-1/2 . . .	2
11	1738276	Frame, L.H.	1	54	1185758	Castle Nut, Special, 1-1/4 . . .	2
12	1722681	Support, Battery and Gas Tank	1	55	1177548	Shakeproof Washer	2
13	• 1100068	Capscrew, 3/8-16 x 3/4.	8	56	1120390	Lock Nut, 3/4-10	2
14	1186345	Flange Screw, 3/8-16 x 3/4 . . .	4	57	1708599	Flat Washer	2
15	1722625	Stop Assembly	2	58	1724089	Wheel Hub.	2
16	1724465	Support, Transmission	1	59	1724478	Disc Brake	2
17	• 1100913	Capscrew, 3/8-16 x 7/8.	8	60	• 1100046	Capscrew, 3/8-16 x 1	8
18	• 1100054	Capscrew, 1/2-13 x 1	4	61	1724526	Steering Bridge	1
19	1722832	Support, Axle.	1	62	• 1100046	Capscrew, 3/8-16 x 1	4
20	1718548	Pin, Axle Pivot	1	63	1718506	Gear, 23T	1
21	1185376	Roll Pin, 3/16 x 1-1/2	2	64	1185711	Bronze Bearing.	1
22	1719147	Belt Guide	1	65	1718555	Spacer.	1
23	• 1100241	Lockwasher, 1/4	1	66	1721405	Steering Plate	1
24	• 1186229	Nut, 1/4-20	2	67	1107064	Capscrew, 5/8-11 x 2	1
25	1738277	Frame, R.H.	1	68	1104436	Woodruff Key, 3/16 x 3/4.	1
26	1185082	Lock Nut, 5/8-18	4	69	1718588	Steering Shaft.	1
27	1718513	Steering Arm, L.H.	1	70	1707546	Thrust Washer.	2
28	1722562	Drag Link	1	71	1185319	Bronze Bearing.	1
29	1186216	Nut, 5/18-18	1	72	1187255	Woodruff Key, 5/16 x 1-1/4 . . .	2
30	1719003	Ball Joint.	4	73	1724416	Drawbar	1
31	• 1100247	Lockwasher, 5/8	5	74	• 1100245	Lockwasher, 1/2	6
32	• 1100011	Capscrew, 3/8-24 x 1-1/2	2	75	• 1100055	Capscrew, 1/2-13 x 1-1/4 . . .	2
33	1727283	Tie Rod.	1	76	1736008	Support, Fender	1
34	1718502	Steering Arm, R.H.	1	77	1732925	Tire, 18 x 8.50-8 (Softrac) . . .	2
35	1185612	Sleeve Bearing.	2	78	1723115	Wheel	2
36	1718602	Front Axle.	1	79	1718086	Valve	2
37	1185976	Grease Fitting.	4	80	1732924	Tire, 26 x 12-12 (Softrac). . .	2
38	1185728	Flange Bearing	4	81	1718277	Wheel	2
39	1185730	Thrust Race	4	82	1718242	Valve	2
40	1185729	Thrust Bearing	2		1734132	Inner Tube (Optional)	AR
41	1185988	O-Ring	2	83	• 1186231	Hex Nut, 3/8-16	8
42	1104336	Square Key, 1/4 x 1.	2	84	1103514	Set Screw, 3/8-16 x 1-1/2 . . .	2
43	1723468	Spindle Assembly	2				

• Common Hardware - Purchase Locally (Grade 5 where applicable)

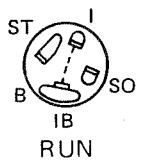
BOLENS HT TRACTOR

IGNITION SWITCH
VIEWED FROM
THE REAR

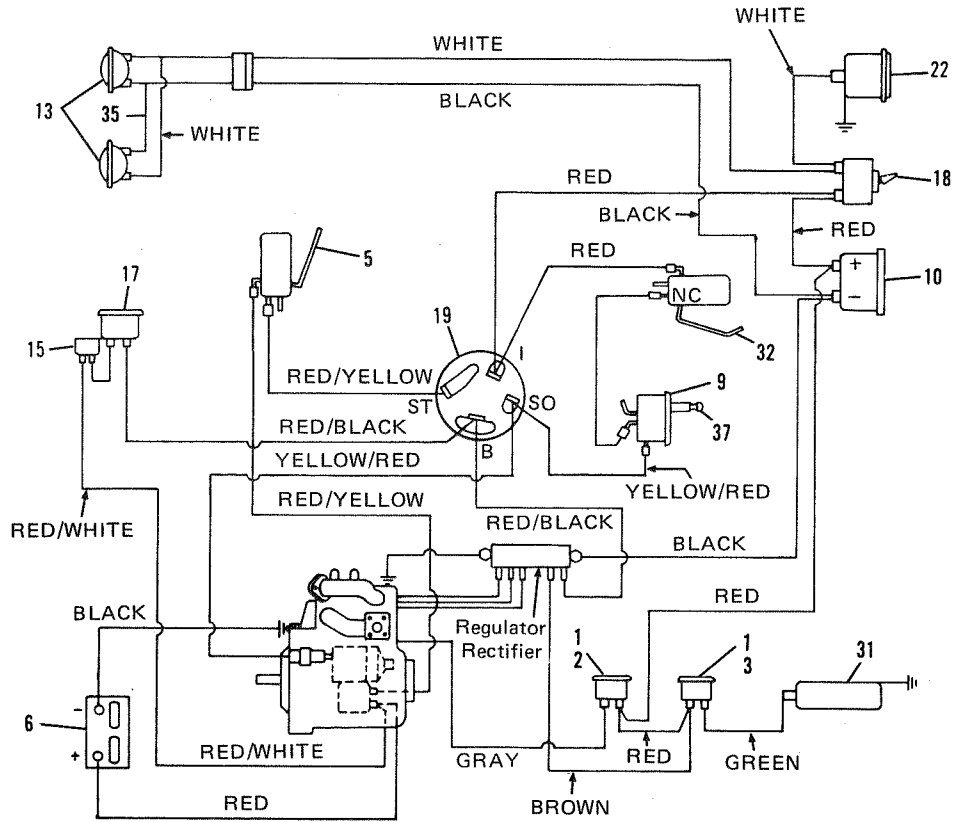
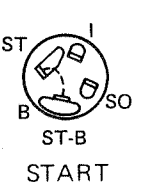
POSITION 1



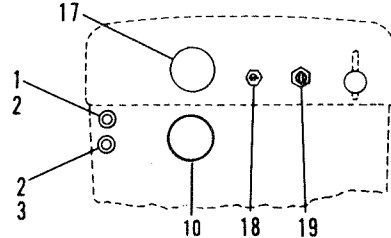
POSITION 2



POSITION 3



FRONT VIEW OF CONSOLE



REAR VIEW OF CONSOLE

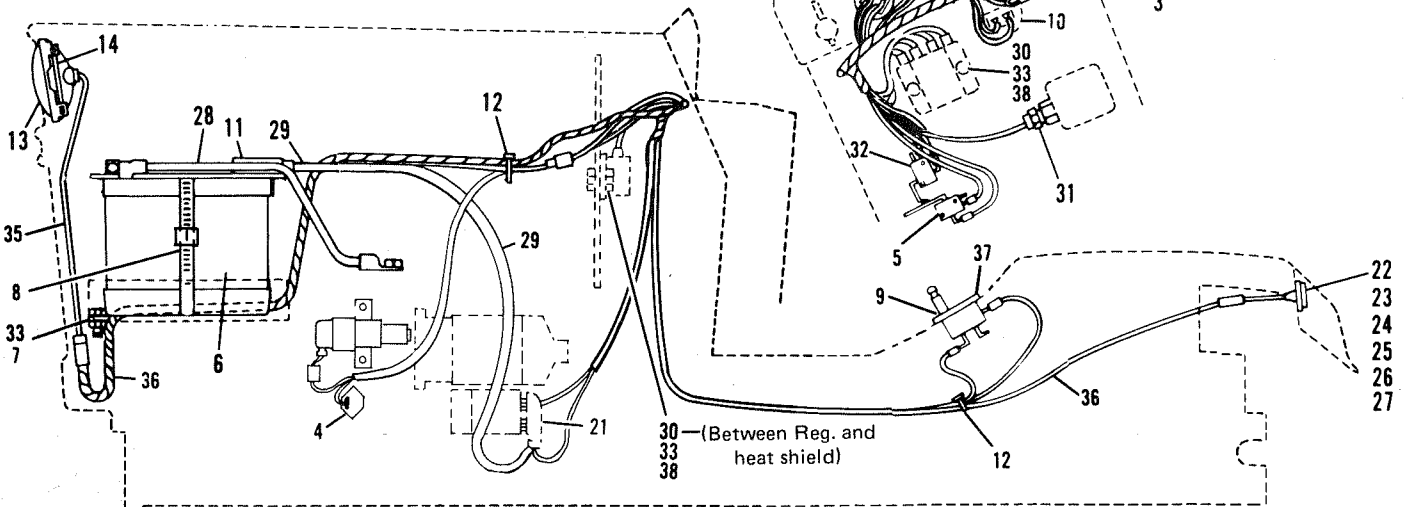
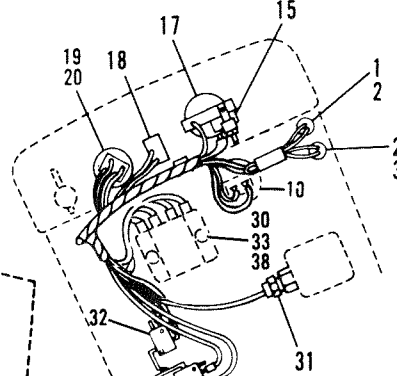


Figure 7

REF. NO.	PART NO.	DESCRIPTION	NO. REQ'D.	REF. NO.	PART NO.	DESCRIPTION	NO. REQ'D.
1	1734826	Oil Indicator Lamp (Incl. Ref. No. 2)	1	20	1739768	Key Only	1
2	1735285	Bulb (GE No. 73)	2	21	1715012	Terminal Nipple	1
3	1734825	Heat Indicator Lamp (Incl. Ref. No. 2)	1	22	1805342	Tail Light Assembly (Incl. Ref. No. 23)	1
4	1739840	Oil Pressure Switch	1	23	**	Bulb (Mfg. No. 1895)	1
5	1726346	Interlock Switch	1	24	1805110	Tail Light Lens	1
6	1739749	Battery	1	25	• 1116197	Machine Screw, No. 6-32 x 1/2.	2
7	1186308	Flange Screw, 1/4-20 x 1/2	2	26	1103989	Lockwasher, No. 6.	2
8	1728136	Clamp	1	27	• 1186225	Nut, No. 6-32.	2
9	1734472	Switch Seal	1	28	1736374	Battery Cable, Ground	1
10	1732263	Hour Meter	1	29	1722732	Battery Cable, Positive	1
11	1721413	Terminal Boot	1	30	1177548	Shakeproof Washer, 5/16	2
12	1805345	Tie, Cable	5	31	1736315	Temperature Switch.	1
13	1726435	Headlight (Mfg. No. 4406-1).	2	32	1728198	Switch.	1
14	1806808	Spring, Retainer	2	33	1186389	Flange Nut, 1/4-20	4
15	1729914	Circuit Breaker	1	34	1721252	"J" Clip.	1
16	1729547	Solenoid	1	35	1727169	Head Light Harness	1
17	1739205	Ammeter	1	36	1738330	Main Harness	1
18	1724894	Light Switch.	1	37	1734366	Seat Swtich	1
19	1738329	Ignition Switch (Incl. Ref. No. 20).	1	38	1186309	Flange Screw, 1/4-20 x 5/8.	2

• Common Hardware - Purchase Locally (Grade 5 where applicable)

**Not Stocked. Purchase from your local automotive or electrical supplier