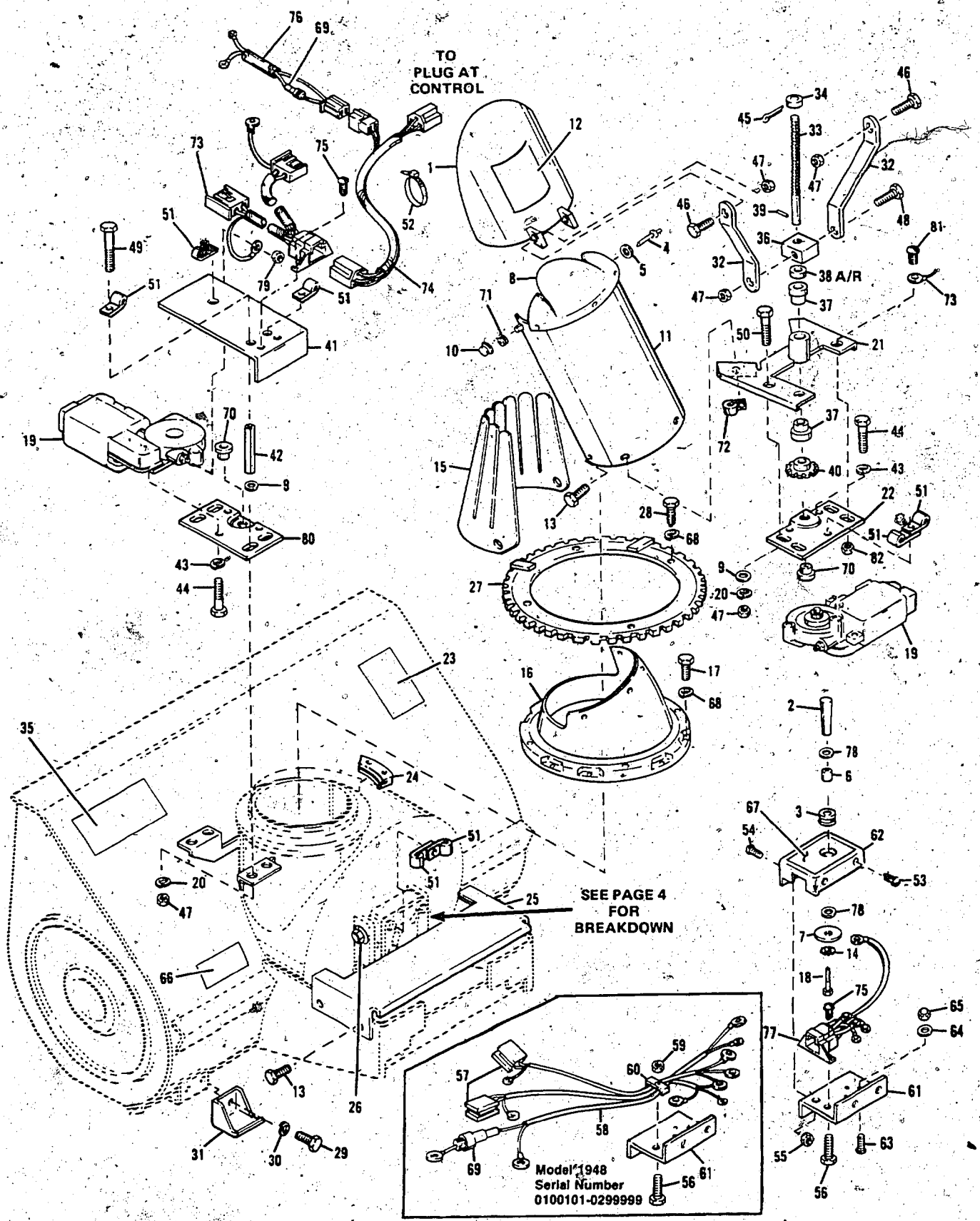


BOLENS 48 INCH SNOWTHROWER ATTACHMENT



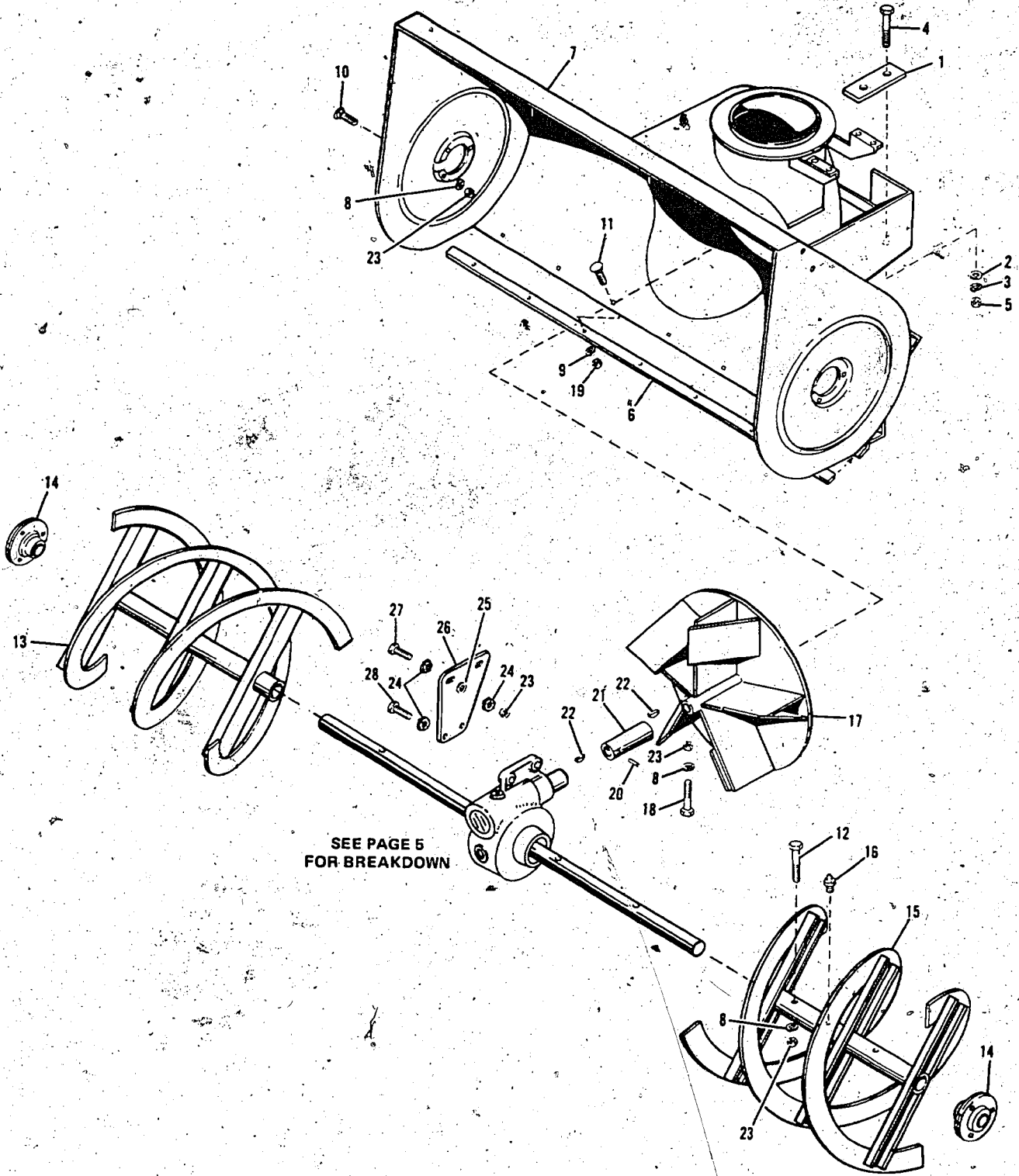
REF. NO.	PART NO.	DESCRIPTION	NO. REQ'D.	REF. NO.	PART NO.	DESCRIPTION	NO. REQ'D.
1	1737679	Cap Assy	1	43	1100241	Lock Washer, 1/4	6
2	1738991	Knob	1	44	1100805	Hex Hd. Capscrew, 1/4-20-x 3/4	6
3	1738993	Grommet	1				
4	1185878	Pop Rivet, 3/16 x 3/8	4	45	1100350	Cotter Pin, 1/8 x 1	1
5	1802230	Flat Washer	4	46	1100044	Hex Hd. Capscrew, 5/16-18 x 3/4	2
6	1731028	Sleeve	1				
7	1738992	Brass Washer	1	47	1732499	Lock Nut, 5/16-18	9
8	1727144	Deflector	1	48	1111607	Hex Hd. Capscrew, 5/16-18 x 2-1/4	1
9	1100254	Flat Washer, 5/16	6				
10	1724791	Push Nut	2	49	1111611	Hex Hd. Capscrew, 5/16-18 x 3-1/2	3
11	1737678	Outlet Duct Assy	1				
12	1735924	Decal - Warning	1	50	1100078	Hex Hd. Capscrew, 5/16-18 x 7/8	3
13	1740885	Flange-Lock Screw, Th'd Forming, 1/4-20 x 1/2	9	51	1739186	Insulated Clip (1)(2)	5
14	1103995	Ext. Tooth Lockwasher, 3/8	1		1739186	Insulated Clip (3)(4)	2
15	1727267	Chute Shield	1	52	1735531	Cable Tie	5
16	1737513	Swivel Duct	1	53	1185712	Self Threading Screw w/ Ext. Lock Washer	2
17	1726805	Hex Washer Hd. Screw, 1/4-20 x 3/4	8	54	1186313	Flange-Lock Flange Screw, 1/4-20 x 1-1/4	2
18	1100799	Hex Hd. Capscrew, 5/16-18 x 1-3/4	1	55	1186389	Flange-Lock Nut, 1/4-20	2
19	1737508	Motor	2	56	1111600	Hex Hd. Capscrew, 1/4-20 x 7/8 (1)(2)	1
20	1100242	Lock Washer 5/16	6				
21	1737669	Motor Mount Assy (1)(2)(3)	1	57	1738646	Lead Assy. - Control (1)(2)	2
	1745196	Motor Mount Assy (4)	1	58	1738647	Lead Assy. - Power (1)(2)	1
22	1737665	Motor Mount Plate (1)(2)(3)	1	59	1734398	Lock Nut, 1/4-20 (1)(2)	1
	1745181	Motor Mount Plate (4)	1	60	1739035	Clamp (1)(2)	1
23	1735925	Decal - Warning	1	61	1738632	Switch Housing-Rear (1)(2)	1
24	1725235	Chute Guide	4		1742034	Switch Housing-Rear (3)(4)	1
25	1725732	Cover (1)(2)	1	62	1738631	Switch Housing-Front (1,2)	1
	1741945	Cover (3)(4)	1		1742033	Switch Housing-Front (3,4)	1
26	1186345	Whiz-Lock Flange Screw, 3/8-16 x 3/4	4	63	1738648	Nylon Screw, No. 10-32 x 3/8	4
27	1739184	Gear Assy	1	64	1738649	Nylon Washer, No. 10	4
28	1185375	Hex Th'd. Cutting Screw, 1/4-20 x 3/4	4	65	1738650	Acorn Nut, No. 10-32	4
29	1100046	Hex Hd. Capscrew, 3/8-16 x 1	4	66	1737687	Decal - Warning	1
30	1100243	Lock Washer, 3/8	4	67	1738651	Decal - Chute Control	1
31	1726184	Shoe Assy	2	68	1103993	Lock Washer, 1/4	12
32	1737677	Arm	2	69		Fuse-30 Amp. (Incl. With Lead Assy. - Buy Locally)	1
33	1737675	Elevation Screw (1)(2)	1	70	1737668	Flange Bearing	2
	1740886	Elevation Screw (3)(4)	1	71	1725702	Grommet, Flip Lock	2
34	1737672	Collar	1	72	1718035	Insulating Clip (3)(4)	2
35	1736651	Decal - Logo (1)(2)(3)	1	73	1742035	Caster Harness (3)(4)	1
	1745889	Decal - Logo (4)	1	74	1742036	Ext. Harness (3)(4)	1
36	1737673	Threaded Block (1)(2)	1	75	1185549	Screw No. 10-24 x 1/2 (3)(4)	4
	1742136	Threaded Block (3)(4)	1	76	1742038	Power Harness (3)(4)	1
37	1737676	Bushing	2	77	1742037	Control Harness (3)(4)	1
38	1890948	Spacing Washer	A/R	78	1741195	Nylon Washer	2
39	1177625	Roll Pin, 1/8 x 3/4	1	79	1186244	Nut Hex 5/16-24 (3)(4)	1
40	1738344	Gear, 24T	1	80	1737665	Motor Mount Plate	1
41	1739787	Guard Plate (1)(2)	1	81	1186329	Flange Screw, Lock 5/16-18 x 3/4	1
	1741940	Guard Plate (3)(4)	1	82	1186391	Flange Nut 5/16-18	1
42	1739864	Sleeve	3				

(1)(2)(3) Model 1948
(4) Model 1949

● Common Hardware - purchase locally (Grade 5 where applicable)

(1) Serial Number 0100101 thru 0199999
(2) Serial Number 0200101 thru 0299999
(3) Serial Number 0300101 thru 0399999
(4) Serial Number 0100101 thru 0199999

BOLENS 48 INCH SNOWTHROWER ATTACHMENT



REF. NO.	PART NO.	DESCRIPTION	NO. REQ'D.	REF. NO.	PART NO.	DESCRIPTION	NO. REQ'D.
1	1739352	Strap	2	15	1725225	L.H. Auger Assy	1
2	● 1100257	Flat Washer, 1/2	4	16	1185803	Grease Fitting	2
3	● 1100245	Lock Washer, 1/2	4	17	1740518	Impeller Assy	1
4	● 1103263	Hex Hd. Capscrew, 1/2-13 x 4-1/4	4	18	1740552	Hex Hd. Capscrew, 3/8-16 x 2-1/2	1
5	1734514	Lock Nut, 1/2-13	4	19	1732499	Hex Locknut, 5/16-18	7
6	1725704	Scraper	1	20	1703822	Drive Pin, 1/4 x 1-1/2	1
7	1737661	Housing Assy (1) (2)	1	21	1725727	Collar	1
	1741947	Housing Assy (3)(4)	1	22	1100276	Woodruff Key	2
8	● 1100243	Lockwasher, 3/8	9	23	● 1733398	Hex Locknut, 3/8-16	11
9	● 1100242	Lockwasher, 5/16	7	24	1185715	Lockwasher (Pyramidal), 3/8	6
10	● 1186127	Round Hd. Carriage Bolt, 3/8-16 x 7/8	6	25	● 1100256	Flatwasher, 3/8	As Req'd.
11	● 1186100	Round Hd. Carriage Bolt, 5/16-18 x 1	7	26	1725719	Hanger Plate	1
12	1100049	Capscrew, 3/8-16 x 2-1/4	2	27	● 1100043	Hex Hd. Capscrew, 3/8-16 x 1-1/4	2
13	1725226	R.H. Auger Assy	1	28	● 1100046	Hex Hd. Capscrew, 3/8-16 x 1	2
14	1717878	Bearing Adapter	2				

● Common Hardware - purchase locally (Grade 5 where applicable)

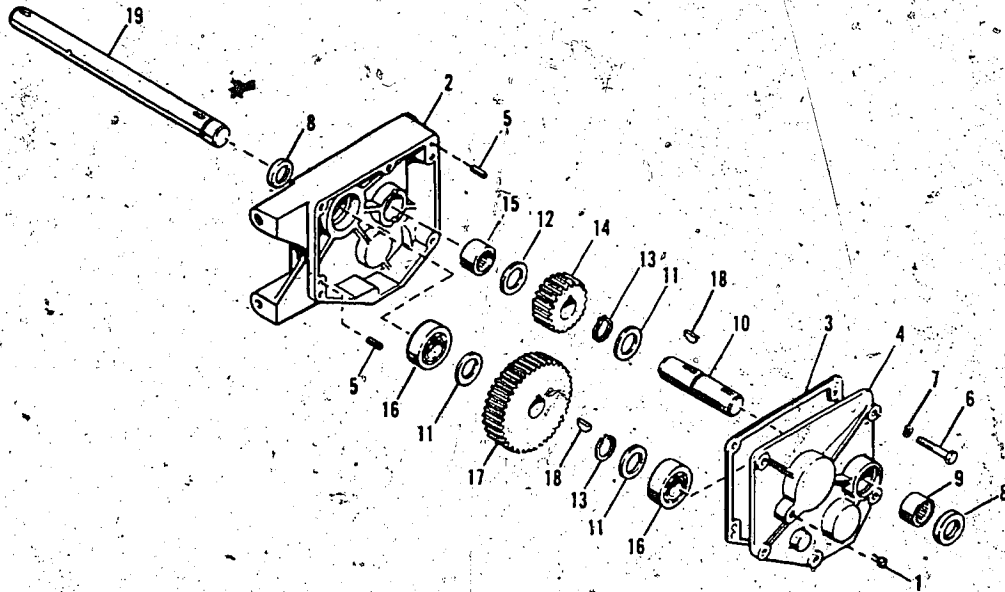
Model 1948

- (1) Serial Number 0100101 thru 0199999
- (2) Serial Number 0200101 thru 0299999
- (3) Serial Number 0300101 thru 0399999

Model 1949

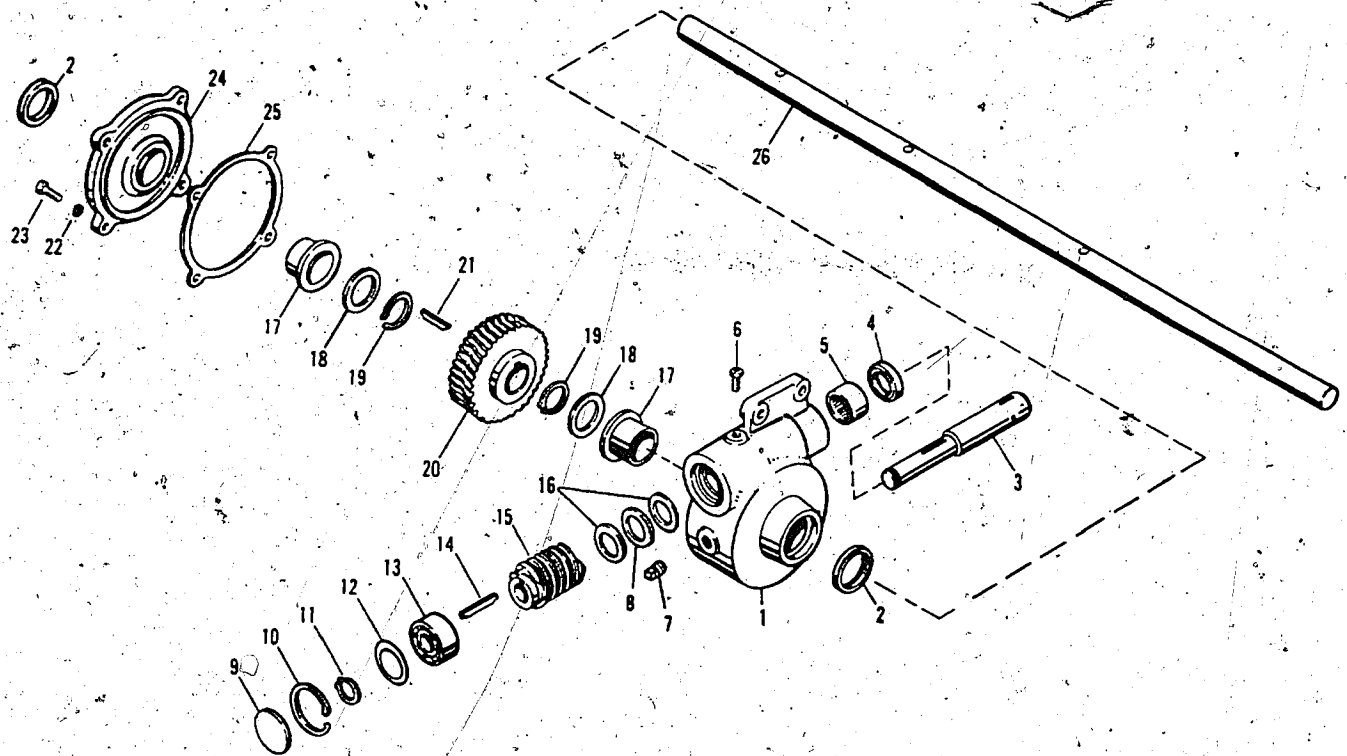
- (4) Serial Number 0100101 thru 0199999

BOLENS 48 INCH SNOWTHROWER ATTACHMENT



REF. NO.	PART NO.	DESCRIPTION	NO. REQ'D.	REF. NO.	PART NO.	DESCRIPTION	NO. REQ'D.
1	1105620	Square Hd. Plug	1	10	1725207	Input Shaft	1
2	1725203	Gear Case	1	11	1185730	Thrust Race	3
3	1725208	Gasket	1	12	1186434	Thrust Washer	1
4	1725201	Gear Case Cover	1	13	1185689	External Retaining Ring	2
5	1100959	Dowel Pin	2	14	1725206	Pinion Gear	1
6	• 1100045	Hex Hd. Capscrew, 5/16-18 x 1	6	15	1186051	Closed End Needle Bearing	1
7	• 1100242	Lockwasher, 5/16	6	16	1100749	Ball Bearing	2
8	1186052	Oil Seal	2	17	1725205	Gear	1
9	1187181	Needle Bearing	1	18	1100276	Woodruff Key	2
				19	1740521	Output Shaft	1

• Common Hardware - purchase locally (Grade 5 where applicable)



REF. NO.	PART NO.	DESCRIPTION	NO. REQ'D.
1	1725213	Worm Gear Case	1
2	1185777	Oil Seal	2
3	1725214	Worm Shaft	1
4	1186052	Oil Seal	1
5	1187181	Needle Bearing	1
6	1721442	Pressure Relief Valve	1
7	1105620	Square Hd. Plug, 1/4-28 NPT	1
8	1185729	Thrust Bearing	1
9	1711380	Expansion Plug	1
10	1118730	Internal Retaining Ring	1
11	1185649	External Retaining Ring	1
12	1185432	Shim, .060	As Req'd.
	1709224	Shim, .030	As Req'd.
	1728833	Shim, .010	As Req'd.
	1728832	Shim, .005	As Req'd.

REF. NO.	PART NO.	DESCRIPTION	NO. REQ'D.
13	1724813	Ball Bearing	1
14	1186064	Hi Pro Key	1
15	1725215	L.H. 4 Thread Worm	1
16	1185730	Thrust Race	2
17	1725217	Flange Bearing	2
18	1720529	Thrust Race	2
19	1118816	External Retaining Ring	1
20	1725216	37 Tooth Worm Gear	1
21	1186063	Hi Pro Key	1
22	• 1100242	Lockwasher, 5/16	4
23	• 1100044	Hex Hd. Capscrew, 5/16-18 x 3/4	4
24	1725211	Gear Case Cover	1
25	1725219	Gasket	1
26	1725218	Auger Shaft	1

• Common Hardware - Purchase Locally (Grade 5 where applicable).